

DC-AC INVERTER UNIT

PS-DA0211-05(S) (11 W DUAL OUTPUTS)

DESCRIPTION :

This low profile DC to AC Inverter is developed for dual lamps.

APPLICABLE LCD:

- 6.4 to 15 inches double lamp type
- Lamp Voltage 650 Vrms
- Lamp Current 2 x 5.5 mArms
- Lamp Start Up Voltage 1.500 Vrms (Vin : 12 Vdc)



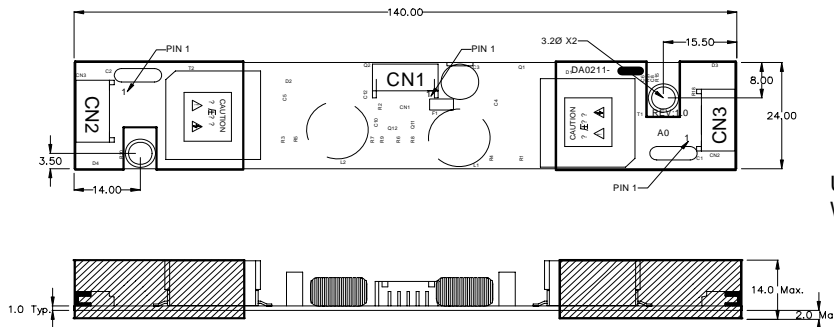
FEATURES :

- Remote ON/OFF
- Open Lamp Detection
- RoHS compliant (S)

TEMPERATURE & HUMIDITY :

- Operating Temperature Range -10°C ~ +60°C
- Storage Temperature Range -40°C ~ +85°C
- Humidity 95 %RH max

DIMENSIONS : L x W x H 140 x 24 x 14 mm



Unit : mm
Weight :39,8 (g) typ.

Note: Please use plastic screw in case of a non-insulating mounting base!

Components

No.	Part Description	Qty.	Material	Note
1	PCB	1	UL94V-0 (FR-4 or CEM-3)	t=1mm
2	Connector CN1	1	S5B-PH-SM3	JST or equal
3	Connector CN2 + CN3	2	SM02(8.0)B-BHS-1-TB	JST or equal

Input side CN1:

Pin No.	Symbols	Ratings
CN 1-1	Vin	10.8 ~ 13.2 Vdc
CN 1-2	GND	
CN 1-3	Vbr	0 ~ 4.2 Vdc
CN 1-4	GND	
CN 1-5	Vrmt	0 ~ 0.4 = OFF / 4.5 ~ Vin = ON

Output side CN2:

Pin No.	Symbols	Ratings
CN 2-1	Vhigh	650 Vrms (5.5 mArms)
CN 2-2	Vlow	(GND)

Output side CN3:

Pin No.	Symbols	Ratings
CN 3-1	Vhigh	650 Vrms (5.5 mArms)
CN 3-2	Vlow	(GND)

Power Systems – The Power Solution

Web: www.Power-Systems.de
Email: Info@Power-Systems.de

Address: Hauptstr. 48 ; 74360 Ilfeld-Auenstein / Germany
Tel. : + 49 / 70 62 / 67 59 - 6
Fax: + 49 / 70 62 / 67 59 - 800

DC-AC INVERTER UNIT

PS-DA0211-05(S) (11 W DUAL OUTPUTS)

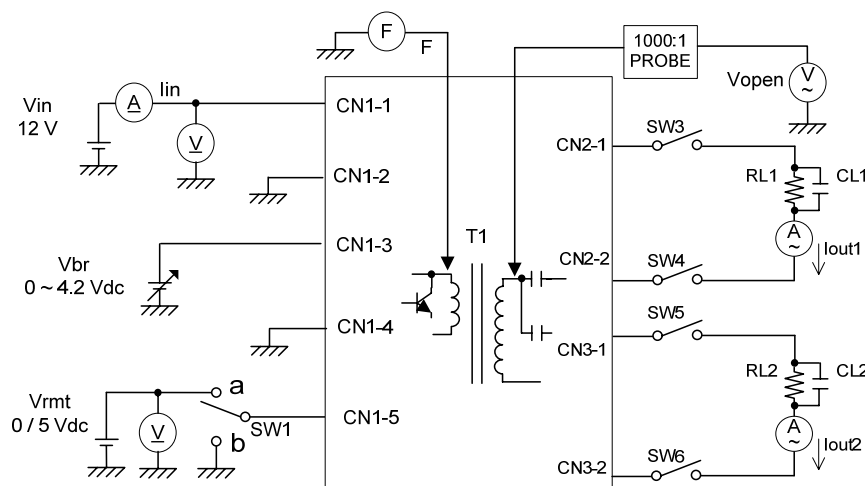
ELECTRICAL CHARACTERISTICS :

Parameters	Symbols	Conditions			Specification			Unit	Note
		Vin (V)	Vrmt (V)	Tu (°C)	Min.	Typ.	Max.		
Output Current	Iout	12±1.2	5±0.25	0 ~ +50	5.0	5.5	6.0	mArms	Vbr = 0 Vdc
Output Current	Iout	12±0.6	5±0.25	0 ~ +50	2.0	2.5	3.0	mArms	Vbr = 4.2 Vdc
Input Current	Iin	12±1.2	5±0.25	0 ~ +50	-	0.84	1.23	Adc	
Frequency	F	12±1.2	5±0.25	0 ~ +50	44.5	52	59.5	kHz	
Open Circuit Voltage	Vopen	11.4	5±0.25	0 ~ +50	1.300	1.500	1.700	Vrms	
No load Shutdown	Tsd	12±1.2	5±0.25	0 ~ +50	1.0	-	-	sec	without load

Note 1 : Please keep minimum of 2mm clearance (all directions) between inverter high voltage area as marked on mechanical drawing and any conductors.

Note 2: Dimming function: Brightness max. @ Vbr = 0 Vdc, Brightness min. @ Vbr. = 4,2 Vdc.

TEST CIRCUIT :



SW1	Operation of unit
a	Operation
b	Non operation

Power Systems – The Power Solution

Web: www.Power-Systems.de
 Email: Info@Power-Systems.de

Address: Hauptstr. 48 ; 74360 Iilsfeld-Auenstein / Germany
 Tel. : + 49 / 70 62 / 67 59 - 6
 Fax: + 49 / 70 62 / 67 59 - 800