

DC-AC INVERTER UNIT

CXA-0503(R) (24W 6 OUTPUTS WITH DIMMING FUNCTION)

(PRELIMINARY INFORMATION)

DESCRIPTION :

This low profile DC to AC Inverter is developed for six lamps.

Optimized for: AA150XR01

APPLICABLE LCD:

- 12 to 23 inches double lamp type
- Lamp Voltage 620 Vrms
- Lamp Current 6.5 mArms
- Lamp Start Up Voltage 1.700 Vrms (Vin : 12 Vdc)

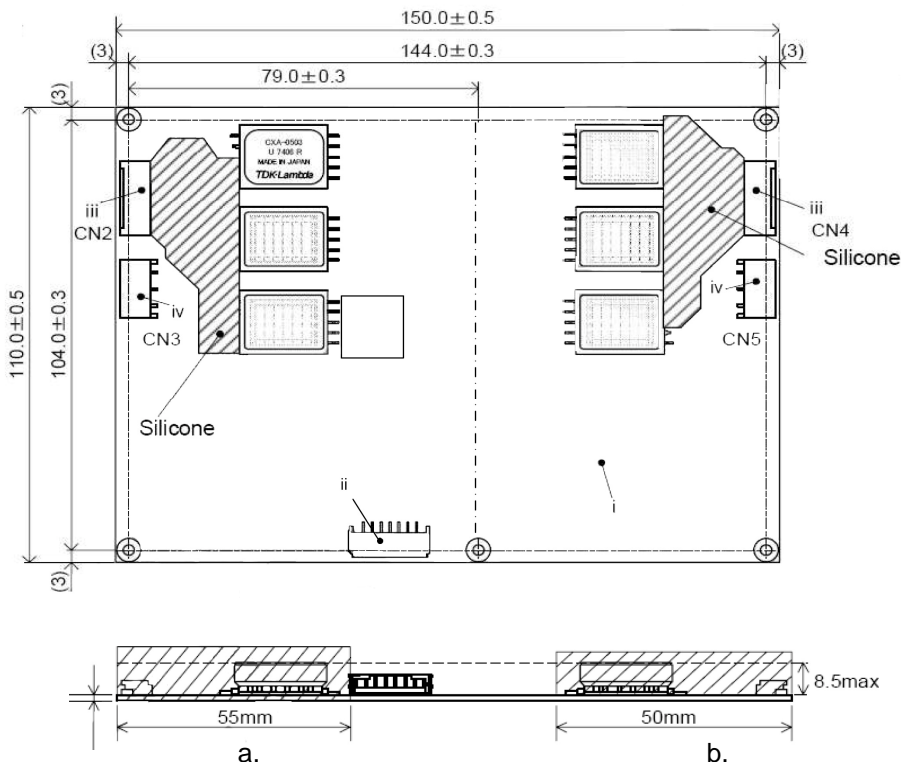
FEATURES :

- Remote ON/OFF
- Alarm signal function
- Shut down function
- Dimming
- Silicone Coating in High Voltage area
- RoHS compliant (S)

TEMPERATURE & HUMIDITY :

- Operating Temperature Range -20°C ~ +70°C
- Storage Temperature Range -30°C ~ +85°C
- Humidity 95 %RH max

DIMENSIONS : L x W x H **150 x 110 x 9.5mm** Unit : mm



a: part generating high voltage (all the 55mm part from the edge of the board)

b: part generating high voltage (all the 50mm part from the edge of the board)

Note: Please use plastic screw in case of a non-insulating mounting base!

Power Systems – The Power Solution

Web: www.Power-Systems.de
 Email: Info@Power-Systems.de

Address: Hauptstr. 48 ; 74360 Ilsfeld-Auenstein / Germany
 Tel. : + 49 / 70 62 / 67 59 - 6
 Fax: + 49 / 70 62 / 67 59 - 800

DC-AC INVERTER UNIT

CXA-0503(R) (24W 6 OUTPUTS WITH DIMMING FUNCTION)

(PRELIMINARY INFORMATION)

Components

No.	Part Description	Qty.	Material	Note
1	PCB	1	CEM-3	t=1.0mm
2	Connector CN1	1	S7B-PH-SM4-TB	JST
3	Connector CN2, 4	2	SM03(6.0)B-BHS-1R-TB	JST
4	Connector CN3, 6	2	SM03(4.0)B-BHS-1-TB	JST

Input side CN1:

Pin No.	Symbols	Ratings
CN 1-1	Vin	12±0.6
CN 1-2		
CN 1-3	GND	0 V
CN 1-4		
CN 1-5	Vbr/Rbr	0 ~ 2.5V / 0 ~ 50kΩ
CN 1-6	Vst	0/5 V
CN 1-7	Vrmt	2.5 ~ Vin / 0 ~ 0.4V (High Active)

Output side CN2, 4:

Pin No.	Symbols	Ratings
CN2-1, CN4-1	Vhigh1	620Vrms
CN2-2, CN4-2	Vhigh2	620Vrms
CN2-3, CN4-3	Vhigh3	620Vrms

Output side CN3, 5:

Pin No.	Symbols	Ratings
CN3-1, CN5-1	Vlow	620Vrms
CN3-2, CN5-2	Vlow	620Vrms
CN3-3, CN5-3	Vlow	620Vrms

ELECTRICAL CHARACTERISTICS :

Parameters	Symbols	Conditions			Specification			Unit	Note
		Vin (V)	Vrmt (V)	Tu (°C)	Min.	Typ.	Max.		
Output Current (Brightness max.)	Iout1~6	12±0.6	5±0.05	-20~+70	TBD	6.5	7	mArms	
Output Current (Brightness min.)	Iout1~6	12±0.6	5±0.05	-20~+70	3.5	4.2	4.9	mArms	
Input Current	Iin1	12±0.6	5±0.05	-20~+70	-	2.6	TBD	A	
	Iin2		0	-20~+70	-	0	1	mA	
	Iin3	12±0.6	5±0.05	-20~+70	-	10	30	mA	
Frequency	F1	12±0.6	5±0.05	-20~+70	TBD	55	TBD	kHz	
	F2	12±0.6	5±0.05	-20~+70	TBD	165	TBD	kHz	
Open Circuit Voltage	Vopen	11.4 min.	5±0.05	-20~+70	1.700	1.850	-	Vrms	
		12±0.6	5±0.05	-20~+70	4.5	5.1	5.5	V	
Warning Signal	Vst	12±0.6	5±0.05	-20~+70	4.5	5.1	5.5	V	
		12±0.6	5±0.05	-20~+70	-	0	0.5	V	
		12±0.6	5±0.05	-20~+70	-	0	0.5	V	

Note 1 : Please keep minimum of 2mm clearance (all directions) between inverter high voltage area as marked on mechanical drawing and any conductors.

Power Systems – The Power Solution

Web: www.Power-Systems.de
 Email: Info@Power-Systems.de

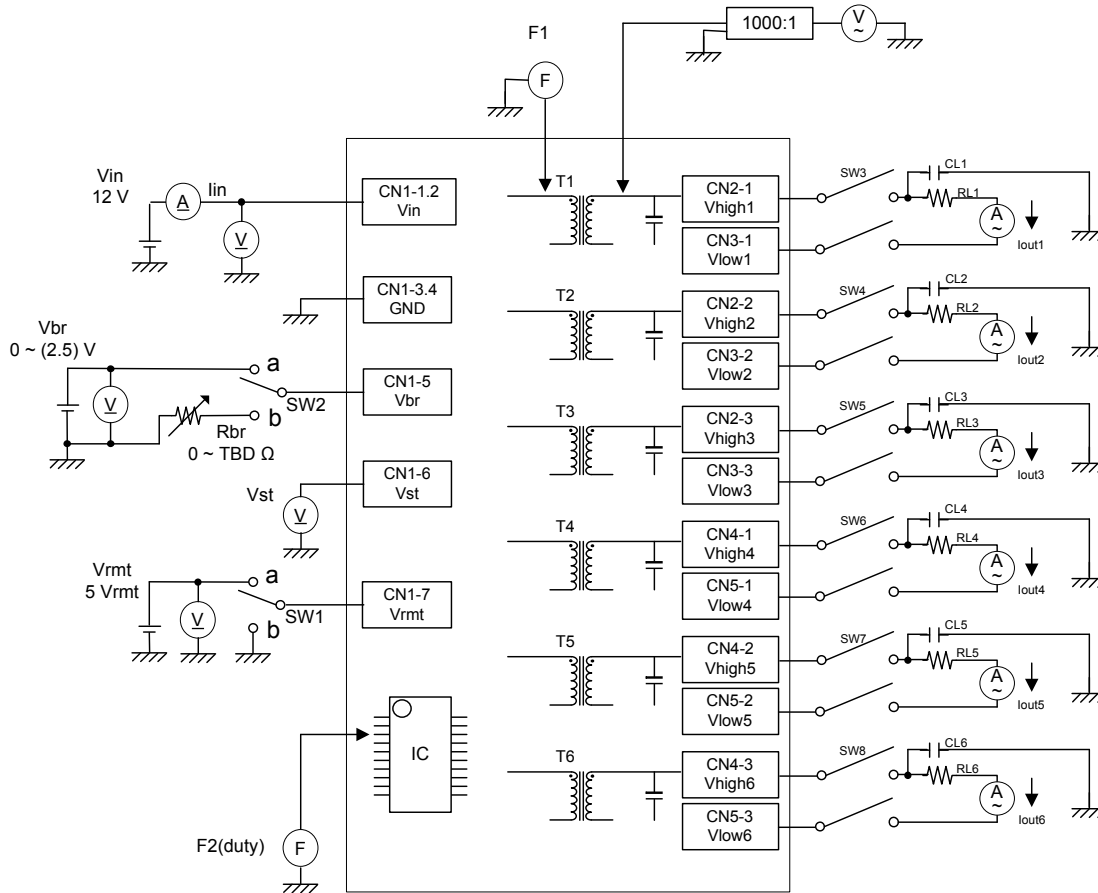
Address: Hauptstr. 48 ; 74360 Iilsfeld-Auenstein / Germany
 Tel. : + 49 / 70 62 / 67 59 - 6
 Fax: + 49 / 70 62 / 67 59 - 800

DC-AC INVERTER UNIT

CXA-0503(R) (24W 6 OUTPUTS WITH DIMMING FUNCTION)

(PRELIMINARY INFORMATION)

TEST CIRCUIT :



SW1	Operation of unit
a	Operation
b	Non operation
Open	Non operation

SW2	Operation of unit
a	Voltage dimming Vbr=0~2.5V
b	Variable resistance dimming VR=0~50Ω

Power Systems – The Power Solution

Web: www.Power-Systems.de
 Email: Info@Power-Systems.de

Address: Hauptstr. 48 ; 74360 Ilsfeld-Auenstein / Germany
 Tel. : + 49 / 70 62 / 67 59 - 6
 Fax: + 49 / 70 62 / 67 59 - 800