

DC-AC INVERTER UNIT

CXA-0406(R) (6,5 W DUAL OUTPUTS)

(PRELIMINARY INFORMATION)

DESCRIPTION :

This low profile DC to AC Inverter is developed for dual lamps.

APPLICABLE LCD:

- 6.4 to 12 inches double lamp type
- Lamp Voltage 450 Vrms
- Lamp Current 6.5 mArms
- Lamp Start Up Voltage 1.300 Vrms (Vin : 5 Vdc)

FEATURES :

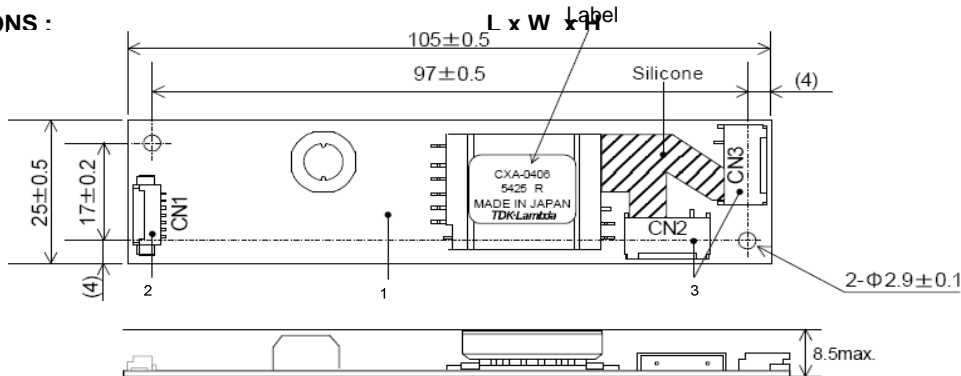
- Remote ON/OFF
- Ext. PWM-Dimming Function
- RoHS compliant (S)

TEMPERATURE & HUMIDITY :

Operating Temperature Range 0°C ~ +60°C
 Storage Temperature Range -20°C ~ +85°C
 Humidity 95 %RH max

Unit : mm
 Weight :20 (g) typ.

DIMENSIONS :



Components

No.	Part Description	Qty.	Material	Note
1	PWB	1	UL94V-0 (FR-4 or CEM-3)	t=1.0mm
2	Connector CN1	1	53261-0771	MOLEX
3	Connector CN2 + CN3	2	SM02(8.0)B-BHS-1-TB	JST

Input side CN1:

Pin No.	Symbols	Ratings
CN 1-1	Vin	4.75 ~ 5.25 V
CN 1-2		
CN 1-3	GND	0 V
CN 1-4		
CN 1-5	Vrmt	2.5~Vin / 0~0.5V
CN 1-6	Vst	0 V / 5V
CN 1-7	Vbr	0 ~ 3 V

Output side CN2:

Pin No.	Symbols	Ratings
CN 2-1	Vhigh	340Vrms (6 mArms)
CN 2-2	N.C.	-
CN 2-3	Vlow	2 V

Output side CN3:

Pin No.	Symbols	Ratings
CN 3-1	Vhigh	340Vrms (6 mArms)
CN 3-2	N.C.	-
CN 3-3	Vlow	2 V

Power Systems – The Power Solution

Web: www.Power-Systems.de
 Email: Info@Power-Systems.de

Address: Hauptstr. 48 ; 74360 Ilsfeld-Auenstein / Germany
 Tel. : + 49 / 70 62 / 67 59 - 6
 Fax: + 49 / 70 62 / 67 59 - 800

DC-AC INVERTER UNIT

CXA-0406(R) (6,5 W DUAL OUTPUTS)

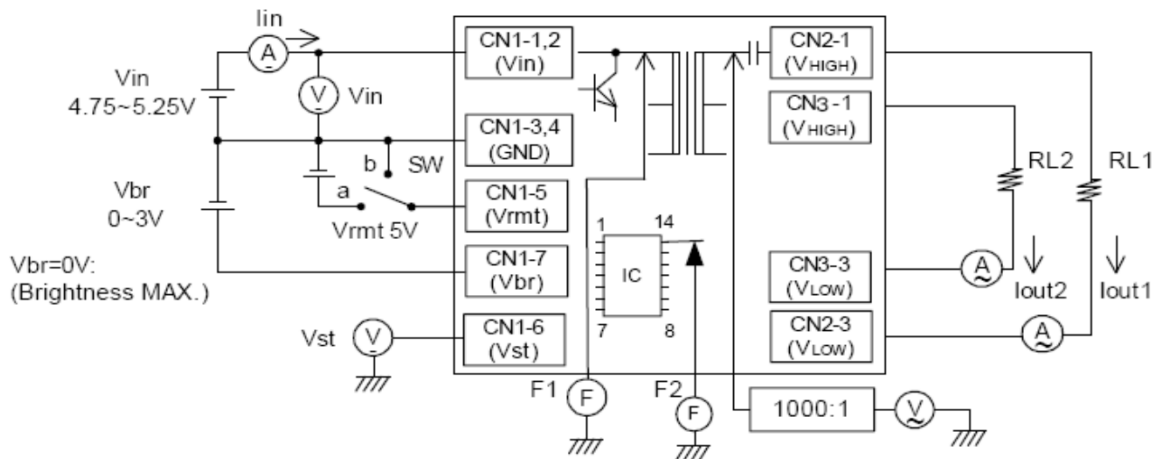
(PRELIMINARY INFORMATION)

ELECTRICAL CHARACTERISTICS :

Parameters	Symbols	Conditions			Specification			Unit	Note
		Vin (V)	Vrmt (V)	Tu (°C)	Min.	Typ.	Max.		
Output Current	lout1	5.00±0.05	5	+18~+28	5.8	6.4	6.45	mArms	
	lout2	4.75±5.25	5	-10~+70	5.7	6.4	6.45	mArms	
	lout3	5.00±0.05	5	+18~+28	2.7	3.2	2.45	mArms	
Input Current	lin1	4.75±5.25	5	-10~+70	-	1.28	0.95	A	
	lin2	4.75±5.25	0	-10~+70	-	0.0	1 Max.	mA	
Frequency	F	4.75±5.25	5	-10~+70	53	59			
		4.75±5.25	5	-10~+70	230	255	54.5	kHz	
Alarm output	Vst	4.75±5.25	5	-10~+70	-	0.0			
		4.75±5.25	5	-10~+70	4.5	5.0			
		4.75±5.25	5	-10~+70	4.5	5.0			
Shuts down	lin	4.75±5.25	5	-10~+70	-	15			
Open Circuit Voltage	Vopen	4.75±0.05	5	-10~+70	1.050	1.150	-	Vrms	

- Note 1 : Please keep minimum of 2mm clearance (all directions) between inverter high voltage area as marked on mechanical drawing and any conductors.
- Note 2: Remote ON/OFF (CN1-5) has priority and can not be used in combination with External PWM Dimming (CN1-3). When 'Ext.PWM' (CN1-3) is used 'Vrmt' (CN1-5) should not be connected.
- Note 3: The external PWM frequency should be in a range of 100 ~ 500 Hz. For other frequency please request. The optimum is 250 Hz. Here you will normally not get a interference to the vertical sync. frequency.

TEST CIRCUIT :



SW1	Operation of unit
a	Operation
b	Non operation

Power Systems – The Power Solution

Web: www.Power-Systems.de
 Email: Info@Power-Systems.de

Address: Hauptstr. 48 ; 74360 Ilsfeld-Auenstein / Germany
 Tel. : + 49 / 70 62 / 67 59 - 6
 Fax: + 49 / 70 62 / 67 59 - 800