

CXA-0286 (15W THREE OUTPUTS WITH DIMMING FUNCTION)

(PRELIMINARY INFORMATION)

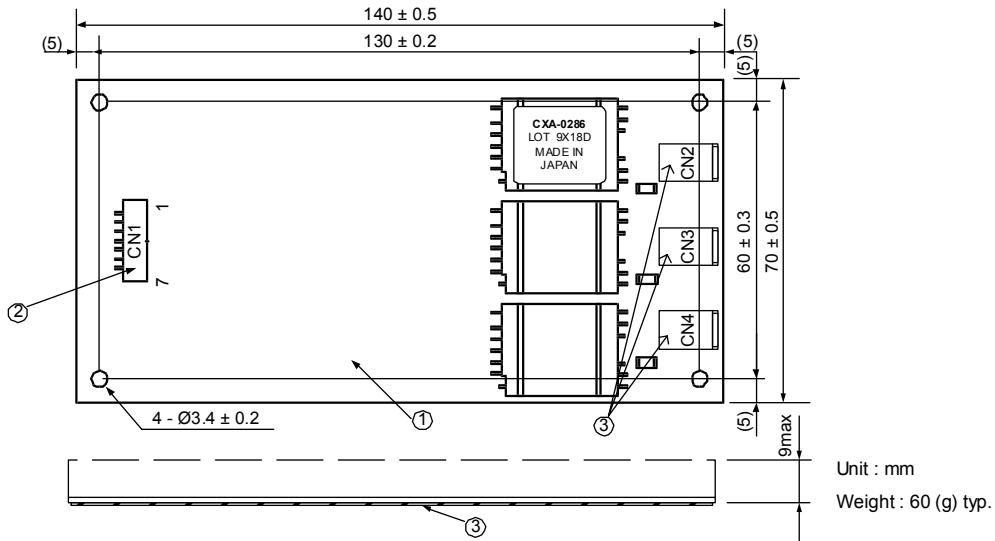
APPLICABLE LCD :

LQ201U1LW01 / SHARP (20.1 inch 6 Lamps Type)
 (Two CXA-0286 is necessary for LQ201)

TEMPERATURE & HUMDITY :

Operating Temperature Range 0°C ~ +60°C
 Storage Temperature Range -30°C ~ +85°C
 Humidity 95 %RH max

DIMENSIONS :



No.	Part Description	Qty.	Note	
1	PWB	1	UL94V-0	t=1.8mm
2	Connector CN1	1	S7B-PH-SM3	(JST)
3	Connector CN2,3,4	3	SM02B-BHSS-1	(JST)
4	Insulation sheet	1	t=0.188mm	

CN1 : S7B-PH-SM3 (JST)

Pin	Symbol	Note
CN1-1	Vin	10.8 ~ 13.2V
CN1-2		
CN1-3	GND	0 V
CN1-4		
CN1-5	Vbr	0 ~ 2.5V
CN1-6	NC	
CN1-7	Vrmt	0 ~ 0.4V : OFF 2.5V ~ Vin : ON

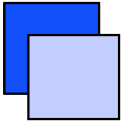
CN2,CN3,CN4 : SM02B-BHSS-1 (JST)

Pin	Symbol	Note
CN2-1	Vhigh1	(795Vrms) / (6mArms)
CN2-2	Vlow1	(0.6V)
Pin	Symbol	Note
CN3-1	Vhigh2	(795Vrms) / (6mArms)
CN3-2	Vlow2	(0.6V)
Pin	Symbol	Note
CN4-1	Vhigh3	(795Vrms) / (6mArms)
CN4-2	Vlow3	(0.6V)

Power Systems – The Power Solution

Web: www.Power-Systems.de
 Email: Info@Power-Systems.de

Address: Dörnet 8 ; 74360 Ilsfeld-Auenstein / Germany
 Tel. : + 49 / 70 62 / 67 59 - 6
 Fax: + 49 / 70 62 / 67 59 - 80

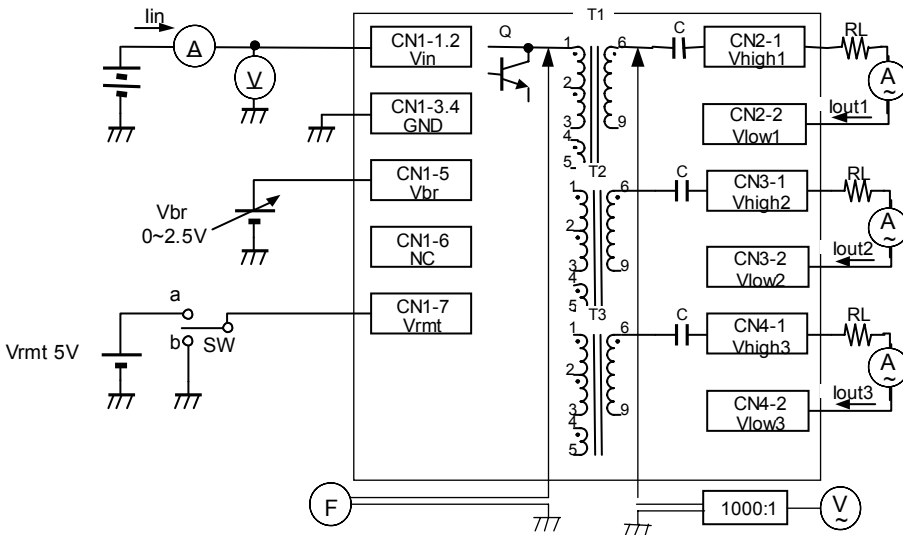


ELECTRICAL CHARACTERISTICS :

Parameters	Symbol	Conditions					Specifications			Unit	Note
		V _{in} (V)	V _{rmt} (V)	V _{br} (V)	T _a (°C)	R _L (kΩ)	min.	typ.	max.		
Output Current	lout1	10.8 ~ 13.2	5	0	23 ± 5	150	TBD	(6.0)	TBD	mA _{rms}	Max Brightness.
	lout2										
	lout3										
Input Current	lin	12	5	0	23 ± 5	150	-	(1.6)	TBD	Adc	
Frequency	FL	12	5	0	23 ± 5	150	TBD	(55)	TBD	kHz	
Open Voltage	Vopen	10.8	5	0	23 ± 5	∞	2.0	2.2	-	kV _{rms}	

TEST CIRCUIT :

SW	Operation of unit
a	Operation
b	Non operation
Open	Non operation



Vbr 0V : Max Brightness
 Vbr 2.5V : Min Brightness

Power Systems – The Power Solution

Web: www.Power-Systems.de
 Email: Info@Power-Systems.de

Address: Dörnet 8 ; 74360 Ilsfeld-Auenstein / Germany
 Tel. : + 49 / 70 62 / 67 59 - 6
 Fax: + 49 / 70 62 / 67 59 - 80