

# DC-AC INVERTER UNIT

**PS-M06D12S3-NJ4L-016 (6,5 W DUAL OUTPUTS)**

(PRELIMINARY INFORMATION)

**DESCRIPTION :**

This low profile DC to AC Inverter is developed for dual lamps.  
Optimized for **Sharp: LQ084S3DG01**.

**APPLICABLE LCD:**

- 6.4 to 12 inches double lamp type
- Lamp Voltage 435 Vrms
- Lamp Current 6 mArms
- Lamp Start Up Voltage 1.200 Vrms (Vin : 12 Vdc)



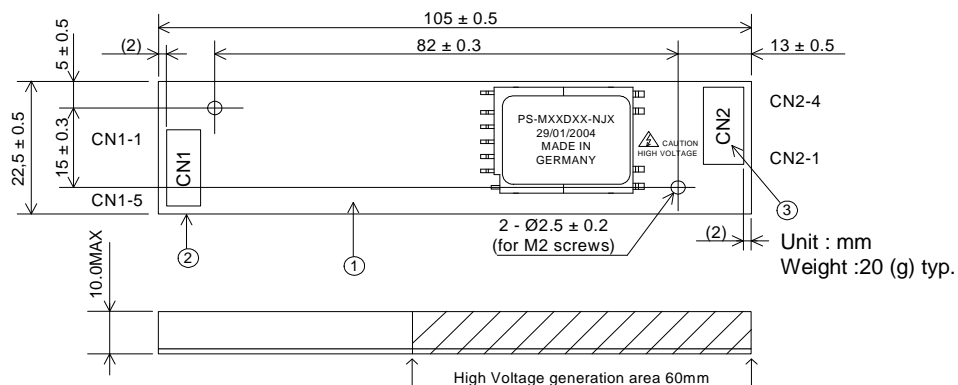
**FEATURES :**

- Remote ON/OFF
- Options:
  - Ext. PWM-Dimming Function (order code: PS-M06D12S3-EJ4L-016)

**TEMPERATURE & HUMDITY :**

- Operating Temperature Range 0°C ~ +60°C
- Storage Temperature Range -20°C ~ +85°C
- Humidity 95 %RH max

**DIMENSIONS :**



Note: Please use plastic screw in case of a non-insulating mounting base!

**Components**

No.	Part Discription	Qty.	Material	Note
1	PCB	1	UL94V-0 (FR-4 or CEM-3)	t=1.6mm
2	Connector CN1	1	S5B-PH-SM3	JST or equal
3	Connector CN2	1	SM03(4.0)B-BHS	JST or equal

**Input side CN1:**

Pin No.	Symbols	Ratings
CN 1-1	Vin	12 Vdc
CN 1-2	GND	
CN 1-3	Ext. PWM	0 ~ 5 Vdc (L activ)
CN 1-4	N.C.	
CN 1-5	Vrmt	0 / 5 Vdc (H activ)

**Output side CN2:**

Pin No.	Symbols	Ratings
CN 2-1+2	Vhigh	435 Vrms (6 mArms)
CN 2-3	N.C.	-
CN 2-4	Vlow	0 Vdc (Option -1: 2,0 Vdc)

**Power Systems – The Power Solution**

Web: [www.Power-Systems.de](http://www.Power-Systems.de)  
Email: [Info@Power-Systems.de](mailto:Info@Power-Systems.de)

Address: Dörnet 8 ; 74360 Ilsfeld-Auenstein / Germany  
Tel. : + 49 / 70 62 / 67 59 - 6  
Fax: + 49 / 70 62 / 67 59 - 80

# DC-AC INVERTER UNIT

PS-M06D12S3-NJ4L-016 (6,5 W DUAL OUTPUTS)

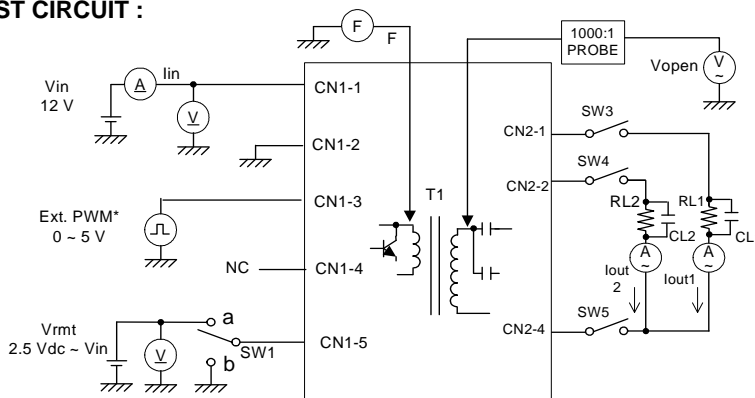
(PRELIMINARY INFORMATION)

## ELECTRICAL CHARACTERISTICS :

Parameters	Symbols	Conditions			Specification			Unit	Note
		Vin (V)	Vrmt (V)	Tu (°C)	Min.	Typ.	Max.		
Output Current	Iout1+2	12±0.12	5±0.25	0 ~ +60	5.5	6.0	6.5	m Arms	
Output Current	Iout1+2	12±1.2	5±0.25	0 ~ +60	5.0	6.0	7.0	m Arms	
Input Current	Iin	12±1.2	5±0.25	0 ~ +60	-	0.7	1.2	A dc	
Frequency	F	12±1.2	5±0.25	0 ~ +60	45	55	65	kHz	
Open Circuit Voltage	Vopen	11,4	5±0.25	0 ~ +60	1.200	-	-	Vrms	

Note 1 : Please keep minimum of 2mm clearance (all directions) between inverter high voltage area as marked on mechanical drawing and any conductors.

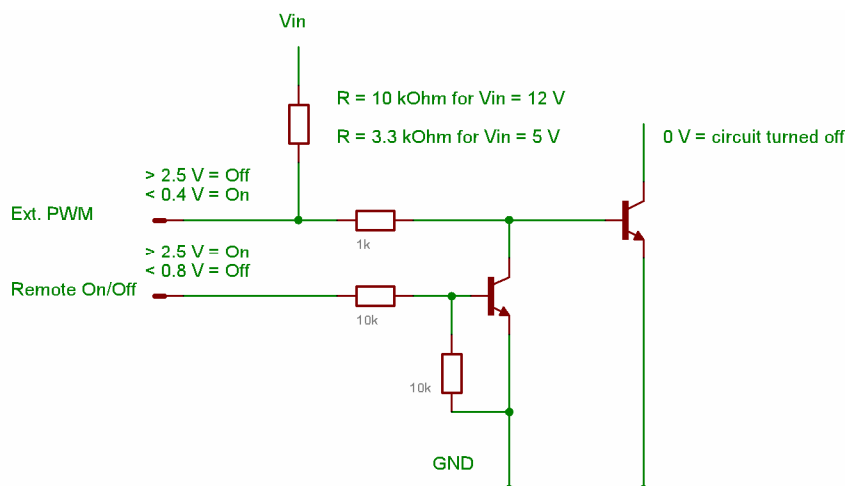
## TEST CIRCUIT :



SW1	Operation of unit
a	Operation
b	Non operation

\*) Only active when Vrmt is 0 Vdc or floating

## External PWM-Dimming / Remote ON / OFF Detailed Circuit Diagram :



## Power Systems – The Power Solution

Web: [www.Power-Systems.de](http://www.Power-Systems.de)  
 Email: [Info@Power-Systems.de](mailto:Info@Power-Systems.de)

Address: Dörnet 8 ; 74360 Ilsfeld-Auenstein / Germany  
 Tel. : + 49 / 70 62 / 67 59 - 6  
 Fax: + 49 / 70 62 / 67 59 - 80