

DC-AC INVERTER UNIT

PS-M05D05(S) (5 W DUAL OUTPUTS)

(STANDARD)

DESCRIPTION :

This DC/AC Inverter is developed for alternative Backlight Inverter to Endicot E-Serie. The Inverter has PCB mounting pins. The nominal input voltage is 5.0 Vdc regulated.

Please contact us for confirmation regarding compatibility with your display.

APPLICABLE LCD:

- Lamp Voltage 500 Vrms
- Lamp Current 2 x 5.0 mArms
- Lamp Start Up Voltage 1.500 Vrms (Vin : 5.0 Vdc)

FEATURES :

- min. 75% Efficiency
- Input Voltage, must be regulated
- Ext. PWM (TTL) Dimming Function 250 Hz
- RoHS compliant (S)



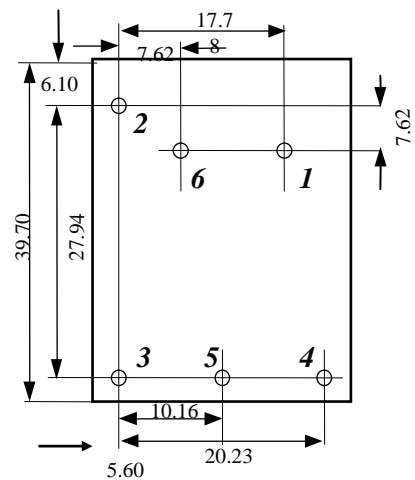
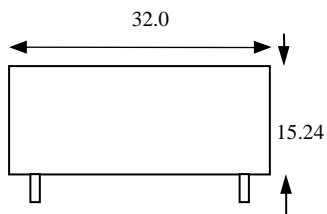
TEMPERATURE & HUMIDITY :

- Operating Temperature Range -10°C ~ +60°C
- Storage Temperature Range -20°C ~ +85°C
- Humidity 95 %RH max

DIMENSIONS : L 32 x 40 x

Bottom View

PCB mounting pins 0.64 square.
Unit : mm
Weight :12 (g) typ



Pin Terminal:

| Pin No. | Symbols | Ratings |
|---------|----------|----------------------|
| 1 | Vin | 4.75 ~ 5.25 Vdc |
| 2 | GND | - |
| 3 | Vlow | (GND) |
| 4 | Vhigh1 | 500 Vrms (5.0 mArms) |
| 5 | Vhigh2 | 500 Vrms (5.0 mArms) |
| 6 | Ext. PWM | High Activ (250 Hz) |

Power Systems – The Power Solution

Web: www.Power-Systems.de
Email: Info@Power-Systems.de

Address: Hauptstr. 48 ; 74360 Iilsfeld-Auenstein / Germany
Tel. : + 49 / 70 62 / 67 59 - 6
Fax: + 49 / 70 62 / 67 59 - 800

DC-AC INVERTER UNIT

PS-M05D05(S) (5 W DUAL OUTPUTS)

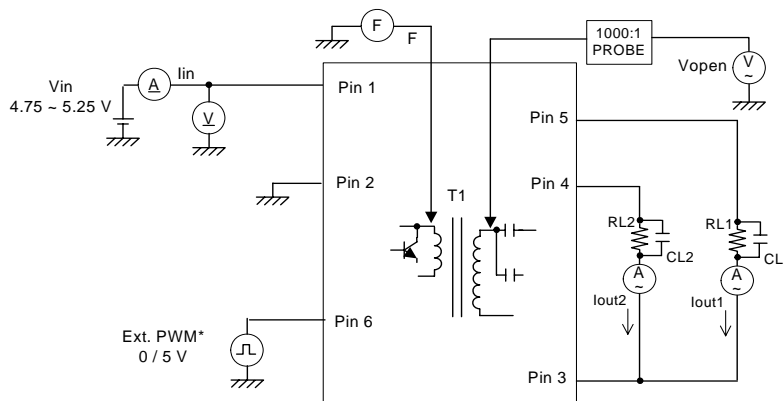
(STANDARD)

ELECTRICAL CHARACTERISTICS :

| Parameters | Symbols | Conditions | | | Specification | | | Unit | Note |
|----------------------|---------|------------|--------------|-----------|---------------|-------|------|-------|------|
| | | Vin (V) | Ext. PWM (%) | Tu (°C) | Min. | Typ. | Max. | | |
| Output Current | Iout | 5±0.25 | 100 | -10 ~ +60 | 4.0 | 5.0 | 6.0 | mArms | |
| Output Current | Iout | 5±0.12 | 10 | -10 ~ +60 | - | 10 | - | % | |
| Input Current | Iin | 5±0.25 | 100 | -10 ~ +60 | - | 0.4 | - | Adc | |
| Frequency | F | 5±0.25 | 100 | -10 ~ +60 | 27 | 32 | 37 | kHz | |
| Open Circuit Voltage | Vopen | 5±0.25 | 100 | -10 ~ +60 | - | 1.500 | - | Vrms | |

- Note 1 : Please keep minimum of 2mm clearance (all directions) between inverter high voltage area as marked on mechanical drawing and any conductors.
- Note 2 : The external PWM frequency should be in a range of 100 ~ 500 Hz. For other frequency please request. The optimum is normally at 250 Hz, and minimizes the interference disturbances of the vertical sync. frequency.

TEST CIRCUIT :



*) Only active when Vrmt is 0 Vdc or floating

Power Systems – The Power Solution

Web: www.Power-Systems.de
 Email: Info@Power-Systems.de

Address: Hauptstr. 48 ; 74360 Ilsfeld-Auenstein / Germany
 Tel. : + 49 / 70 62 / 67 59 - 6
 Fax: + 49 / 70 62 / 67 59 - 800