

PS-LEDP35-L

LED Power Supply | LED Driver | LED Control Gear | 35 Watt (200 ~ 700mA / 24 ~ 48Vdc) | CC



- Suitable for indoor applications
- Type of Protection: II and SELV output

Product benefits

- High efficiency: > 91 %
- Very compact casing: 220 x 30 x 22 (L x W x H)
- Patented and labelled plugs for adjustments of precise output current

Product features

- Constant Current CC
- Output power max.: 35 Watt
- Output current range : 200 ~ 700 mA
- Output voltage range : 24 ~ 48 Vdc
- Simple and easily assembled poke-in connectors
- Analog current dimming, No PWM dimming

PS-LEDP35-L

LED Power Supply | LED Driver | LED Control Gear | 35 Watt (200 ~ 700mA / 24 ~ 48Vdc) | CC

Technical data

Electrical Data

Nominal voltage	220 ~ 240 Vac
Input voltage range	207 ~ 253 Vac ¹
Nominal current	0,3 Arms ²
Power frequency	50 ~ 60 Hz
Output voltage range	24 ~ 48 Vdc ³
Output current range	200 ~ 700 mA (selectable by current plugs) ⁴
Output power	35 W ⁵
Device power loss	3,2 W ⁶
Efficiency	>91 % ⁷
Inrush current	>10 A ⁸
Power factor λ	>0,9 ⁹
Device power loss in Stand-By	<1 W
Galvanic isolation primary / secondary	3750 Vac ¹⁰
Start delay	<1 sec
Switching off delay	10 msec
Ripple voltage	<1,2 Vss

1. Permitted voltage range
2. At 230 Vac
3. Max. 48 Vdc
4. $\pm 10\%$ (200 ~ 700 mA)
5. Partial Load 4 ~ 35 W / non dimming
6. Max.
7. Full load at 230 Vac
8. $T_{width} = 260 \mu s$ (measured at 50 % I_{peak}), measured 6 A
9. Full load at 230 Vac
10. SELV-equivalent

Dimensions and weight

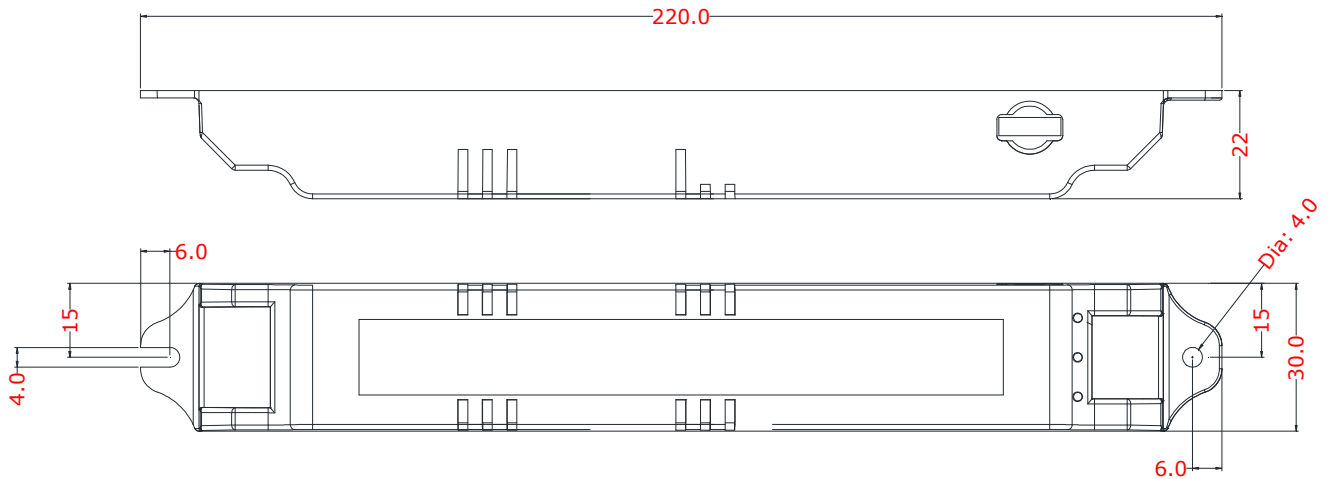
Lenght	220,0 mm
Width	30,0 mm
Height	22,0 mm
Product weight	120 g
Cable cross-section, input side	0,2 ~ 1,5 mm ² / 24 ~ 16 AWG
Cable cross-section, output side	0,2 ~ 1,5 mm ² / 24 ~ 16 AWG

PS-LEDP35-L

LED Power Supply | LED Driver | LED Control Gear | 35 Watt (200 ~ 700mA / 24 ~ 48Vdc) | CC

Technical data

Product drawing



Temperatures

Operating ambient temperature range	-20°C ~ +50°C
Storage temperature range	-20°C ~ +80°C
Max. temperature at tc test point	85°C
Operating humidity rage	5% to 80%
Storage humidity rage	5% to 90%

Capabilities

Max. wiring lenght driver / lamp	10 m
Overcurrent protection	Automatic reversible
Overvoltage protection	Automatic reversible
Short-circuit protection	Automatic reversible
Suitable for fixture with protection class	I / II

PS-LEDP35-L

LED Power Supply | LED Driver | LED Control Gear | 35 Watt (200 ~ 700mA / 24 ~ 48Vdc) | **CC**

Technical data

Certificates and standards

CE	EN61347-1; EN61347-2-13
EMI	EN55015 Class B
EMS	EN61000-3-2; EN6100-3-3; EN61547
Type of protection	IP30

Reliability:

MTBF	50.000 hour @ 25°C. 100% Burn-In-Test 80~100% load & 35~45°C operating temp. MIL HDBK-217F
Drop test	Test height 76cm, after drop test no changings of the electrical characteristics.
Vibration test	During seafreight should the vibration should be not above 1.5G peak, 5~500Hz. Operation vibration should be not above as 0.75G peak, 5~500Hz, 3 planes. After the test no changings of the electrical characteristics.

Connector CN1 250-405 WAGO

CN1-1	L (220 ~ 240 Vac)
CN1-2	N.C.
CN1-3	N (220 ~ 240 Vac)
CN1-4	N.C.
CN1-5	N.C.

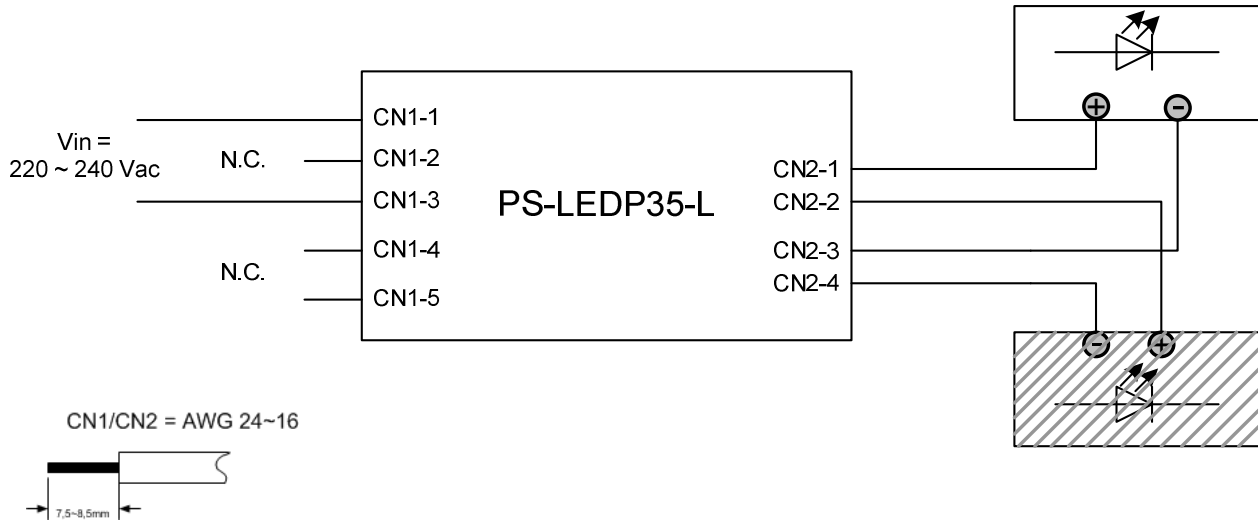
Connector CN2 250-404 WAGO

CN2-1	LED+ (48 Vdc)
CN2-2	LED+ (48 Vdc)
CN2-3	LED-
CN2-4	LED-

PS-LEDP35-L

LED Power Supply | LED Driver | LED Control Gear | 35 Watt (200 ~ 700mA / 24 ~ 48Vdc) | CC

Wiring diagram



Delivered Accessories



- PS-LEDP-Plug 0350 a 1 pcs
- PS-LEDP-Plug 0550 a 1 pcs
- PS-LEDP-Plug 0700 a 1 pcs

Accessories



- Model: PS-LED-Plug
- Other Plugs continuously variable between 200 and 700 mA

PS-LEDP35-L

LED Power Supply | LED Driver | LED Control Gear | 35 Watt (200 ~ 700mA / 24 ~ 48Vdc) | CC

Disclaimer

Subject to change without prior notice. Please ensure that you have the most recent release.
Please find our terms and conditions here: [AGB](#).

Contact details

Power Systems GmbH & Co.KG
Hauptstr. 48
74360 Ilsfeld-Auenstein / Germany

Tel.: +49 7062 6759 - 6
Fax: +49 7062 6759 - 800
Email: Info@Power-Systems.de
Web: www.Power-Systems.de

Commercial register	Amtsgericht Stuttgart HRA 104529
Partner liable to unlimited extent	Power Systems Verwaltungs GmbH, Ilsfeld
General manager	Mrs. Andrea Luithle
General manager	Mr. Holger Dziadek
VAT Registration Number (VAT REG NO)	DE 234167965
Tax number	65216 / 35600
DIN EN ISO 9001-2008 Regist. No.	454707 QM08, DQS