

PS-LE2-2-xxx

LED Lighting | LEDengine | LED Light Engine | Active Cooling | up to max. 75 Watt @ Ta. +40° C



Good value:

The LEDengine suitable for most brands of LED COBs

Multifunctional:

Design your own individual LEDengine by choosing your desired LEDs, light angle and more

Product benefits

- LEDengine consists of:
 - COB (Chip On Board = LED chip) for most of the available COB's in the market
 - Available also with pure passive cooling
 - LEDiL Reflector: LENINA or LENA incl. holder
 - Hook holder, 180 degrees rotatable
 - Fan: Sunon, magnet field technology
- Compact design for good value
- Driven by Power Systems LED-driver and others

Product features

- Suitable for most current LED COBs up to maximum diameter of 33mm with corresponding LEDiL Reflector.
- In order to identify the best combination among numerous possibilities afforded by our unique design of LEDengine 2, we strongly recommend that you contact us for a direct consultation free of cost.

PS-LE2-2-xxx

LED Lighting | LEDengine | LED Light Engine | Active Cooling | up to max. 75 Watt @ Ta. +40° C

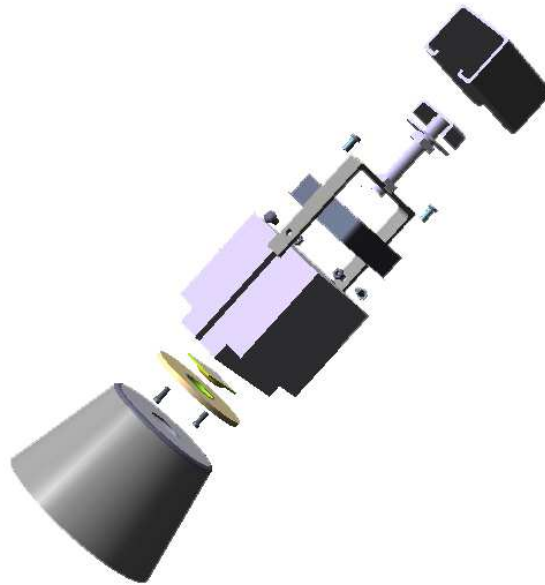
Technical data

Electrical specifications of fan Sunon HA50151V4-000U-999

Nominal voltage	12 Vdc
Input voltage range	6 ~ 13,8 Vdc
Nominal current	<52 mAdc
Output power	0,5 W
Audible noise	17 dB ¹

Weight and measurement of LEDengine

Lenght	60,0 mm
Width	66,0 mm
Height	87,0 ~ 132,0 mm ²⁺³
Product weight	380 g ³
Cable cross-section, input side	0,13 ~ 0,5 mm ² / 26 ~ 20 AWG
Cable cross-section, output side	0,13 ~ 0,5 mm ² / 26 ~ 20 AWG

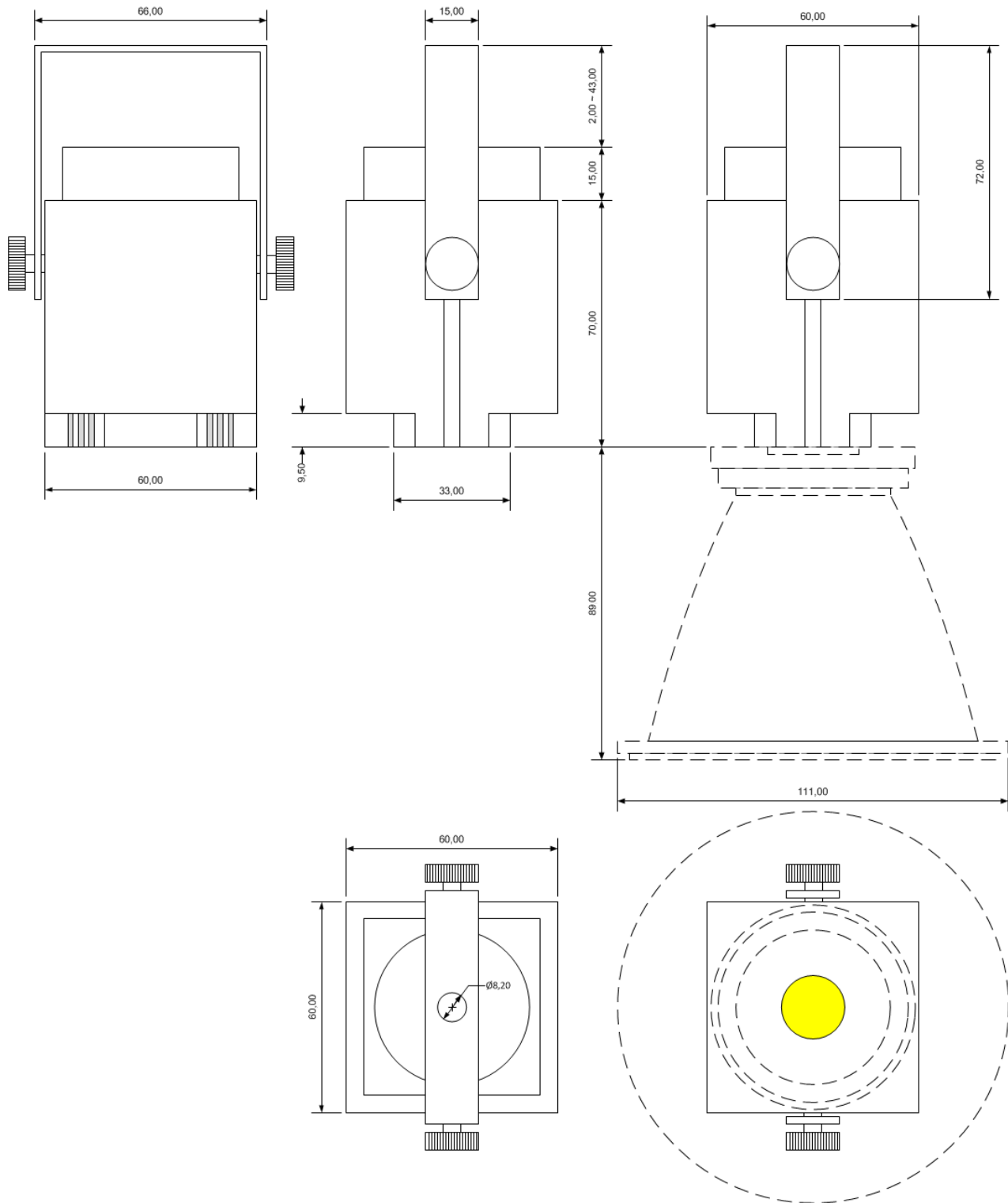


1. Meassured in 1m distance with Vin 12 Vdc
2. Hook is adjustable in lenght
3. Excluding reflector and reflector-holder

PS-LE2-2-xxx

LED Lighting | LEDengine | LED Light Engine | Active Cooling | up to max. 75 Watt @ Ta. +40° C

Mechanical drawing



PS-LE2-2-xxx

LED Lighting | LEDengine | LED Light Engine | Active Cooling | up to max. 75 Watt @ Ta. +40° C

Technical data

For fan Sunon HA50151V4-000U-999

Operating ambient temperature range	-20°C ~ +50°C
Storage temperature range	-25°C ~ +80°C
Max. temperature at tc test point	40°C
Operating humidity rage	5% to 80%
Storage humidity rage	5% to 90%

MTBF fan Sunon HA50151V4-000U-999

Full load @ 25°C	70.000 h ¹
------------------	-----------------------

Connector CN1 53261-1290 Molex or equal

CN1-1	LED1 + (1.500mA max. @59 Vdc max.)
CN1-2	LED1 + (1.500mA max. @59 Vdc max.)
CN1-3	N.C.
CN1-4	N.C.
CN1-5	N.C.
CN1-6	N.C.
CN1-7	LED1 - (GND)
CN1-8	LED1 - (GND)
CN1-9	FAN +
CN1-10	FAN -
CN1-11	NTC + ³
CN1-12	NTC - ³

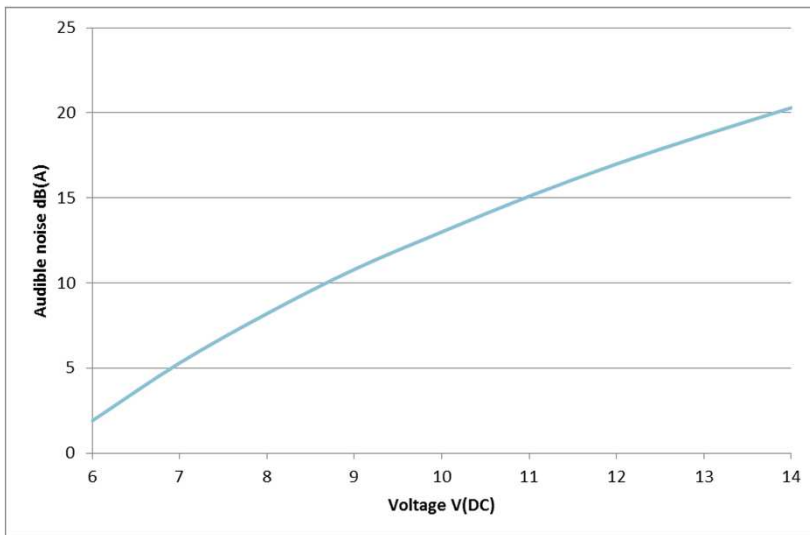
1. At 40°C, 65% humidity and 90% CL
http://www.sunon.com.tw/products/pdf/DCFAN/HA5015_U.pdf
2. Optional and for SHARP TIGER Zenigata only.
3. Optional and only in combination with PS-LEDP35C, PS-LEDP35-DAL-C; PS-LEDP85C, PS-LEDP85-DAL-C

PS-LE2-2-xxx

LED Lighting | LEDengine | LED Light Engine | Active Cooling | up to max. 75 Watt @ Ta. +40° C

Technical data

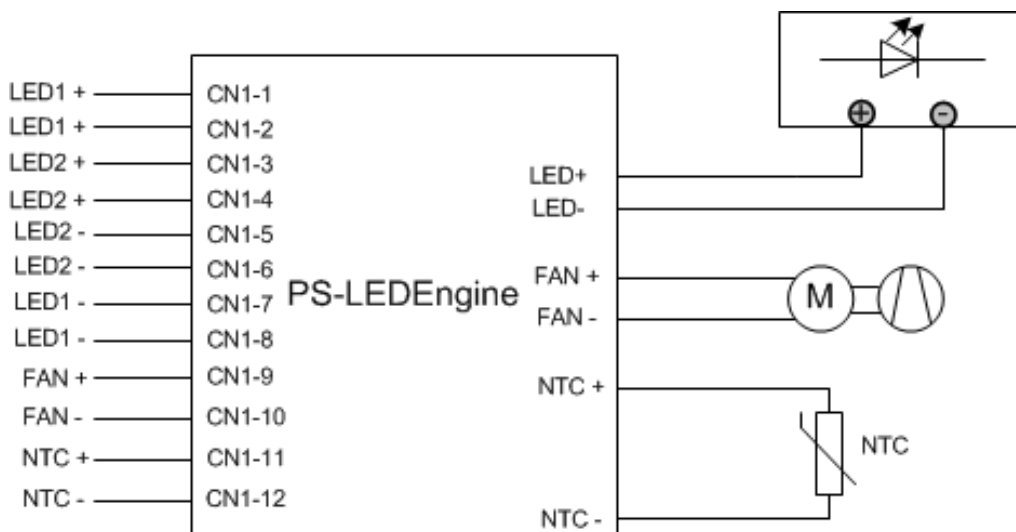
Graph of audible noise as a function of fan voltage:



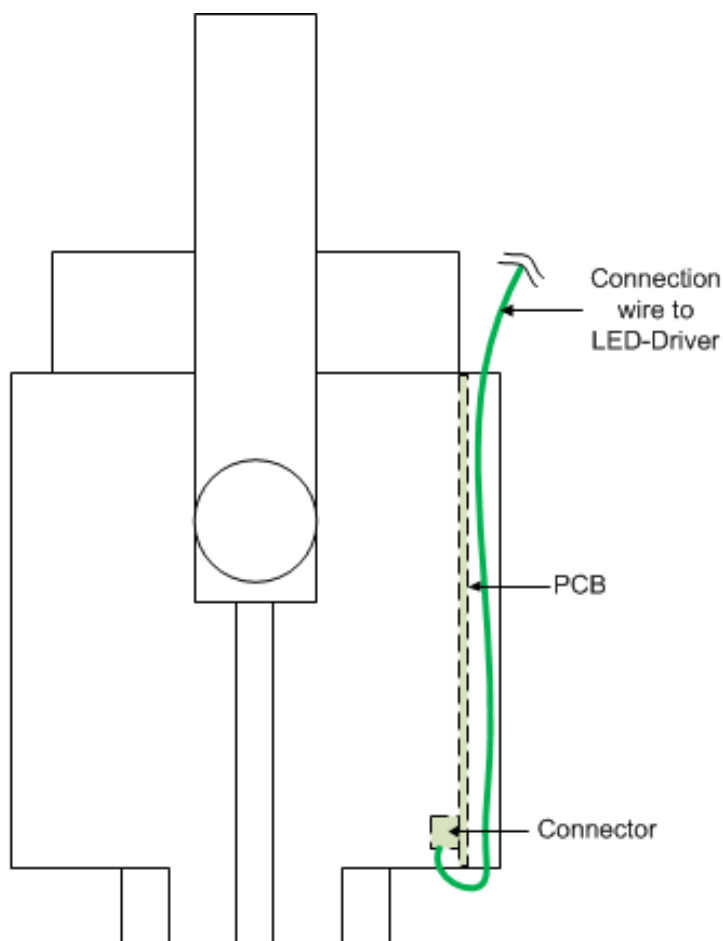
PS-LE2-2-xxx

LED Lighting | LEDengine | LED Light Engine | Active Cooling | up to max. 75 Watt @ Ta. +40° C

Wiring diagram



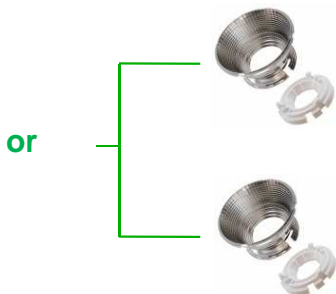
CN1/CN2 = AWG 20~26



PS-LE2-2-xxx

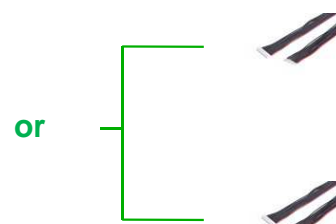
LED Lighting | LEDengine | LED Light Engine | Active Cooling | up to max. 75 Watt @ Ta. +40° C

Required Accessories - please specify on your order



- Model: LEDiL LENA
- <http://ledil.com/node/2/p/4231>

- Model: LEDiL LENINA
- <http://ledil.com/node/2/p/5161>



- Model: Input cable no. 3
- Special: universal
- <http://www.power-systems.de/produkt-details/?product=396>

- Model: LEDengine cable Nr. 2
- Special: suitable for LED driver
 - Power Systems PS-LEDP35-C
 - Power Systems PS-LEDP35-DALI-C
 - Power Systems PS-LEDP85-C
 - Power Systems PS-LEDP85-DALI-C

Additional accessories



- Model: PS-LEDP35-DALI-L
- <http://www.power-systems.de/produkt-details/?product=963>



- Model: PS-LEDP35-DALI-C
- <http://www.power-systems.de/produkt-details/?product=1173>



- Model: PS-LEDP85-C
- <http://www.power-systems.de/produkt-details/?product=63>



- Model: Special Srew M8
- C-Profile 40mm



- Model: LEDengine Gooseneck

PS-LE2-2-xxx

LED Lighting | LEDengine | LED Light Engine | Active Cooling | up to max. 75 Watt @ Ta. +40° C

Disclaimer

Subject to change without prior notice. Please ensure that you have the most recent release.
Please find our terms and conditions here: [AGB](#).

Contact details

Power Systems GmbH & Co.KG
Hauptstr. 48
74360 Ilsfeld-Auenstein / Germany

Tel.: +49 7062 6759 - 6
Fax: +49 7062 6759 - 800
Email: Info@Power-Systems.de
Web: www.Power-Systems.de

Commercial register	Amtsgericht Stuttgart HRA 104529
Partner liable to unlimited extent	Power Systems Verwaltungs GmbH, Ilsfeld
General manager	Andrea Luithle
General manager	Holger Dziadek
VAT Registration Number (VAT REG NO)	DE 234167965
Tax number	65216 / 35600
DIN EN ISO 9001-2008 Regist. No.	454707 QM08, DQS