

LED-CONVERTER UNIT

PS-LD0609-051(S) (22 W)

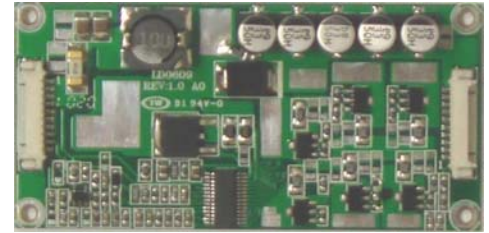
(PRELIMINARY INFORMATION)

DESCRIPTION :

This low profile LED converter is developed for max. 5 LED-lines.

APPLICABLE:

Poutmax. 3,5 Watt per line, total max. 22 Watt
 LED Voltage max. 45V
 Lamp Current max. 40 mAdc per line



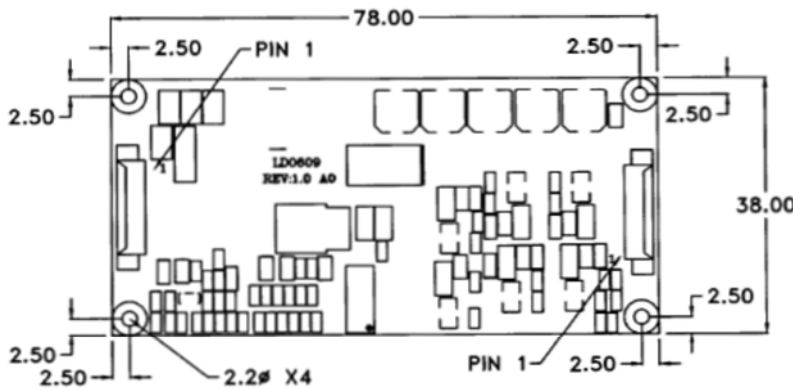
FEATURES :

Internal Open LED Detection for every Line
 Analog dimming with int. PWM
 Remote ON / OFF
 RoHS compliant (S)
 High output voltage

TEMPERATURE & HUMIDITY :

Operating Temperature Range 0°C ~ +50°C
 Storage Temperature Range -20°C ~ +85°C
 Humidity 95 %RH max

DIMENSIONS : L x W x H 78 x 38 x 9.0 mm



Weight :9 (g) typ.

UNIT: mm TOLERANCE: ±0.3mm



Components

No.	Part Description	Qty.	Material	Note
1	PCB	1	UL94V-0 (FR-4 or CEM-3)	t=1.0mm
2	Connector CN1	1	53261-1090	Molex
3	Connector CN2	1	53261-1090	Molex

Power Systems – The Power Solution

Web: www.Power-Systems.de
 Email: Info@Power-Systems.de

Address: Hauptstr. 48 ; 74360 Ilsfeld-Auenstein / Germany
 Tel. : + 49 / 70 62 / 67 59 - 6
 Fax: + 49 / 70 62 / 67 59 - 800

LED-CONVERTER UNIT

PS-LD0609-051(S) (22 W)

(PRELIMINARY INFORMATION)

Input side CN1

Pin No.	Symbols	Ratings
CN 1-1	Vin	10.8 ~ 13.2 Vdc
CN 1-2	Vin	10.8 ~ 13.2 Vdc
CN 1-3	Vin	10.8 ~ 13.2 Vdc
CN 1-4	Vin	10.8 ~ 13.2 Vdc
CN 1-5	GND	-
CN 1-6	GND	-
CN 1-7	GND	-
CN 1-8	GND	-
CN 1-9	Vrmt	0 ~ 0.8 = OFF / 2.5 ~ Vin = ON
CN 1-10	Vbr	0 ~ 5.0 Vdc

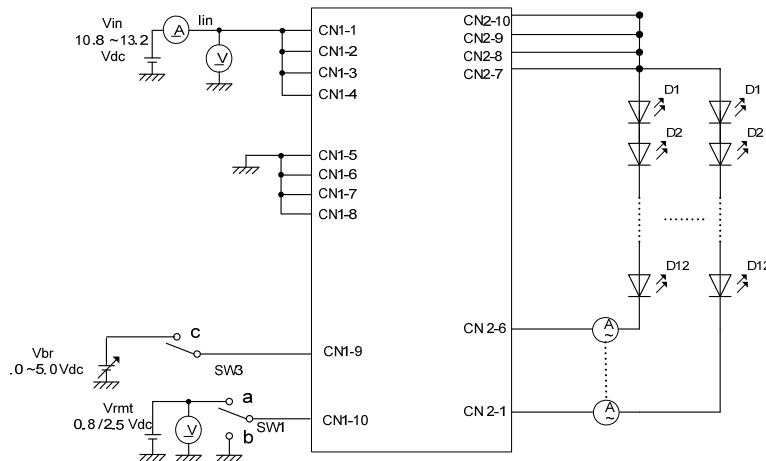
Output side CN2

Pin No.	Symbols	Ratings
CN2-1	RTN1 (-)	LED LINE 1 RETURN
CN2-2	RTN2 (-)	LED LINE 2 RETURN
CN2-3	RTN3 (-)	LED LINE 3 RETURN
CN2-4	RTN4 (-)	LED LINE 4 RETURN
CN2-5	RTN5 (-)	LED LINE 5 RETURN
CN2-6	RTN6 (-)	LED LINE 6 RETURN
CN2-7	Vhigh (+)	max 45Vdc
CN2-8	Vhigh (+)	max 45Vdc
CN2-9	Vhigh (+)	max 45Vdc
CN2-10	Vhigh (+)	max 45Vdc

ELECTRICAL CHARACTERISTICS :

Parameters	Symbols	Conditions			Specification			Unit	Note
		Vin (V)	Vbr (V)	Tu (°C)	Min.	Typ.	Max.		
Output Current	Iout	10.8 ~ 13.2	0	0~+50	TBD	40	TBD	mAdc	Vbr = 0Vdc
Output Current	Imin	10.8 ~ 13.2	5	0~+50	-	10	-	mAdc	Vbr = 5Vdc
Input Current	Iin	10.8 ~ 13.2	0	0~+50	0.3	-	2.5	Adc	
Open Load Shutdown	Vbias	10.8 ~ 13.2	0	0~+50	-	45	-	Vdc	
PWM Frequency	f(PWM)	10.8 ~ 13.2	0	0~+50	150	-	300	Hz	
Output Power	Pout	10.8 ~ 13.2	0	0~+50	TBD	22	TBD	Watt	Tu: 0~+50degC

TEST CIRCUIT :



CABLES :

for input: 500 mm, stripped and tinned ends, order key <input cable #6>
 for output: 500 mm, stripped and tinned ends, order key <input cable #6>