

LED-CONVERTER UNIT

PS-LD0602-004(S) (3 W)

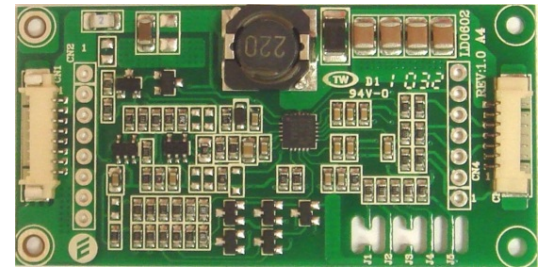
(PRELIMINARY INFORMATION)

DESCRIPTION :

This low profile LED converter is developed for max. 6 LED-lines.
Optimized for: **AUO G057VN01 V0**

APPLICABLE:

- 1~3 LED lines (Serial Mode)
- Pout max. 0,9 Watt per line, total max. 3 Watt
- LED Voltage max. 35V
- Lamp Current 15 mAdc per line



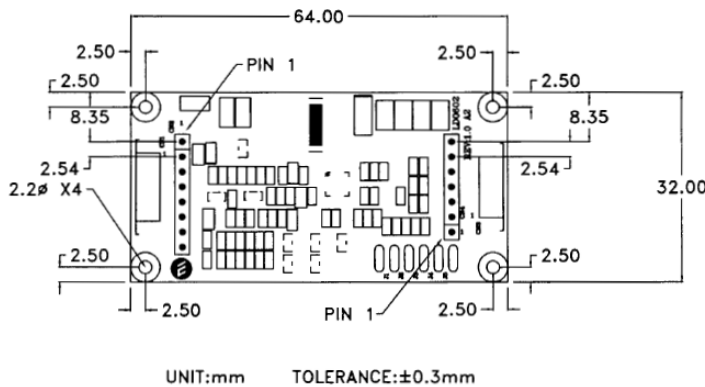
FEATURES :

- Internal Open LED Detection for every Line
- Analog or ext. PWM dimming
- 1000:1 dimming ratio with external PWM
- Remote ON / OFF
- Wide Input Voltage Range
- RoHS compliant (S)

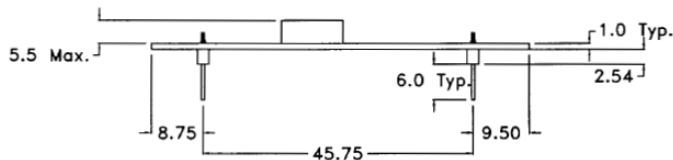
TEMPERATURE & HUMIDITY :

- Operating Temperature Range -20°C ~ +85°C
- Storage Temperature Range -20°C ~ +85°C
- Humidity 95 %RH max

DIMENSIONS : L x W x H 64 x 32 x 6.5 mm



Weight :5 (g) typ.



If you have ordered the converter without pins,

Components

No.	Part Description	Qty.	Material	Note
1	PCB	1	UL94V-0 (FR-4 or CEM-3)	t=1.0mm
2	Connector CN1	1	53261-0890	Molex
3	Connector CN3	1	53261-0790	Molex

LED-CONVERTER UNIT

PS-LD0602-004(S) (3 W)

(PRELIMINARY INFORMATION)

Input side CN1:

Pin No.	Symbols	Ratings
CN 1-1	Vin	4.75 ~ 13.2 Vdc
CN 1-2	Vin	4.75 ~ 13.2 Vdc
CN 1-3	Vrmt	0 ~ 0.8 = OFF / 2.5 ~ Vin = ON
CN 1-4	Ext. PWM	0 ~ 0.5 = LOW / 2.5 ~ 5 = HIGH
CN 1-5	Vbr	0.0 ~ 5.0 (5V=low brightness)
CN 1-6	GND	-
CN 1-7	GND	-
CN 1-8	GND	-

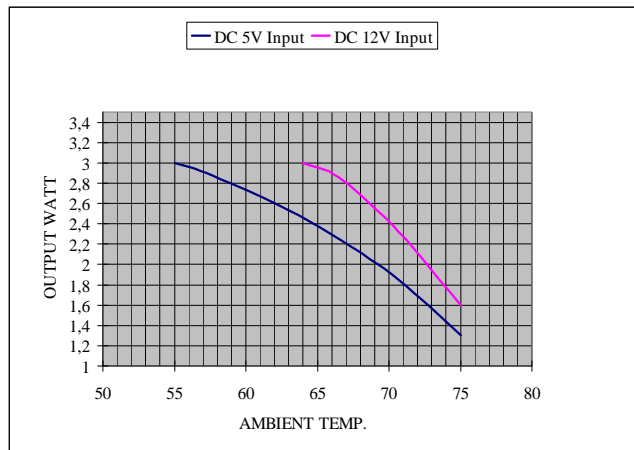
Output side CN3:

Pin No.	Symbols	Ratings
CN 3-1	RTN6 (-)	LED LINE 6 RETURN
CN 3-2	RTN5 (-)	LED LINE 5 RETURN
CN 3-3	RTN4 (-)	LED LINE 4 RETURN
CN 3-4	RTN3 (-)	N.C.
CN 3-5	RTN2 (-)	N.C.
CN 3-6	RTN1 (-)	N.C.
CN 3-7	Vhigh (+)	max 35 Vdc (max 15 mAdc)

ELECTRICAL CHARACTERISTICS :

Parameters	Symbols	Conditions			Specification			Unit	Note
		Vin (V)	Vbr (V)	Tu (°C)	Min.	Typ.	Max.		
Output Current	Iout	4.75 ~ 13.2	0	-20~+85	TBD	15	TBD	mAdc	Duty 100% max current
Output Current	Imin	4.75 ~ 13.2	5	-20~+85	-	10	-	%	duty cycle
Input Current	Iin	4.75 ~ 13.2	0	-20~+85	0.06	-	0.3	Adc	
Open Load Shutdown	Vbias	4.75 ~ 13.2	0	-20~+85	-	30	-	Vdc	
PWM Frequency	f(PWM)	4.75 ~ 13.2	0	-20~+85	150	-	300	Hz	
Output Power	Pout	4.75 ~ 13.2	0	-20~+85	TBD	3	TBD	Watt	Tu: -20~+50degC
Output Power	Pout	4.75 ~ 13.2	0	-20~+85	TBD	1.9	TBD	Watt	Tu: -20~+70degC
Output Power	Pout	4.75 ~ 13.2	0	-20~+85	TBD	0.9	TBD	Watt	For one line
Output Power	Pout	4.75 ~ 13.2	0	-20~+85	TBD	0.6	TBD	Watt	For one line

DERATING:



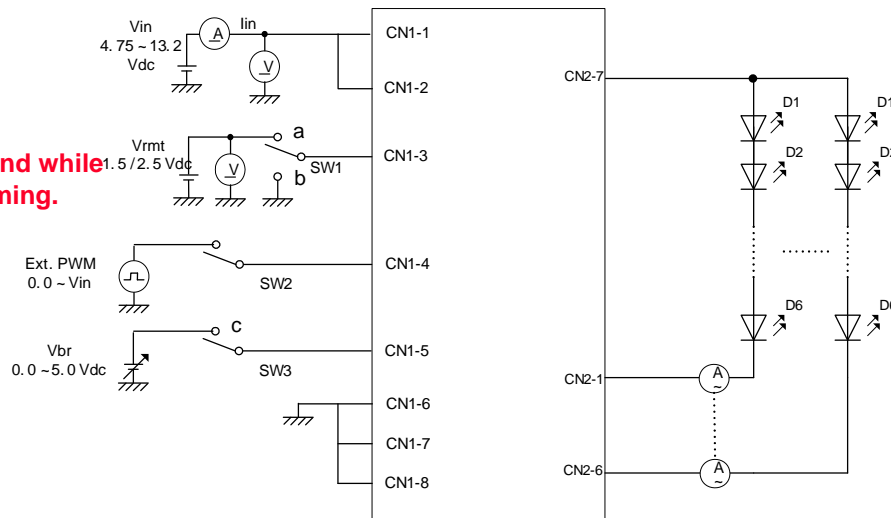
LED-CONVERTER UNIT

PS-LD0602-004(S) (3 W)

(PRELIMINARY INFORMATION)

TEST CIRCUIT :

Connect Vbr to Ground while using ext. PWM dimming.



- Note 1 : Do not use analog dimming and external PWM dimming at the same time.
- Note 2 : Pin Terminal Style converters are mounted with Molex connectors.
- Note 3 : Ext. PWM-signal is LOW active.

CABLES :

for input: 500 mm, stripped and tinned ends, order key <input cable #13>
for output: 500 mm, stripped and tinned ends, order key <input cable #4>