

LED-CONVERTER UNIT

PS-LD0101-x-yyy(S) (9 W)

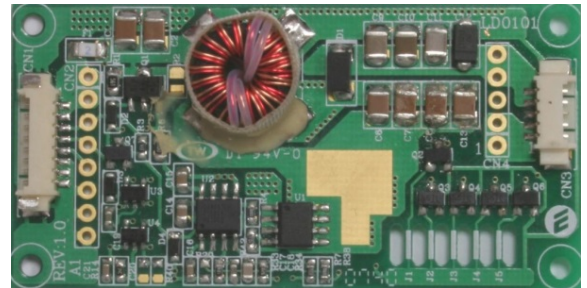
(PRELIMINARY INFORMATION)

DESCRIPTION :

This low profile LED-Converter is developed for max. 1 LED-line

APPLICABLE:

- 1 LED line
- Pout max. 9 Watt
- LED Voltage max. 35V
- Lamp Current max. 300 mAdc
- Input Voltage 10.8 ~ 13.2 Vdc



Connector style

FEATURES :

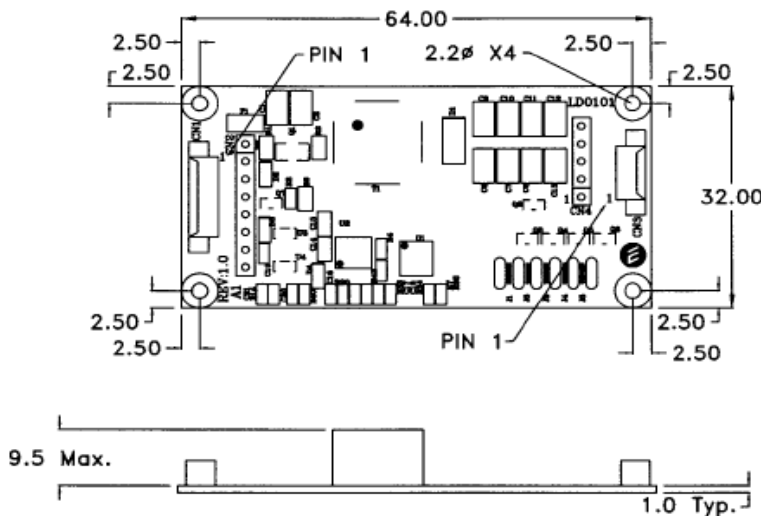
- Independent Open LED Detection
- Analog and Ext. PWM Dimming
- 1000:1 dimming ratio with external PWM
- Remote ON / OFF
- Wide Input Voltage Range
- RoHS compliant (S)

TEMPERATURE & HUMIDITY :

- Operating Temperature Range -20°C ~ +70°C
- Storage Temperature Range -20°C ~ +85°C
- Humidity 95 %RH max

DIMENSIONS :

L x W x H 64 x 32 x 10.5 mm



Weight :5 (g) typ.
Tolerance: ±0.3mm

Note: Please use plastic screw in case of a non-insulating mounting base!

Components

No.	Part Description	Qty.	Material	Note
1	PCB	1	UL94V-0 (FR-4 or CEM-3)	t=1.0mm
2	Connector CN1	1	53261-0890	Molex
3	Connector CN2	1	53261-0590	Molex

Power Systems – The Power Solution

Web: www.Power-Systems.de
Email: Info@Power-Systems.de

Address: Hauptstr. 48 ; 74360 Ilsfeld-Auenstein / Germany
Tel. : + 49 / 70 62 / 67 59 - 6
Fax: + 49 / 70 62 / 67 59 - 800

LED-CONVERTER UNIT

PS-LD0101-x-yyy(S) (9 W)

(PRELIMINARY INFORMATION)

Input side CN1:

Pin No.	Symbols	Ratings
CN 1-1	Vin	10.8 ~ 13.2 Vdc
CN 1-2	Vin	10.8 ~ 13.2 Vdc
CN 1-3	Vrmt	0 ~ 0.8 = OFF / 2.5 ~ 5.0 = ON
CN 1-4	Ext. PWM	0 ~ 0.5 = LOW / 2.5 ~ 5 = HIGH
CN 1-5	Vbr	0.0 ~ 5.0 (5V=low brightness)
CN 1-6	GND	-
CN 1-7	GND	-
CN 1-8	GND	-

Output side CN2

Pin No.	Symbols	Ratings
CN 2-1	RTN1 (-)	LED STRING 1 RETURN
CN 2-2	RTN1 (-)	LED STRING 1 RETURN
CN 2-3	NC	-
CN 2-4	Vhigh (+)	35 Vdc
CN 2-5	Vhigh (+)	35 Vdc

Output Current Select Control

Jumper	JP 1	JP 2	JP 3	JP 4	JP 5	Output Current
Break	✂					+10 mA
Break		✂				+20 mA
Break			✂			+40 mA
Break				✂		+80 mA
Break					✂	+120 mA

Example:

30mA (Output Current Min.) + **10mA** (JP1) = **40mA**

30mA (Output Current Min.) + **80mA** (JP4) = **110mA**

JP1 ~ JP5 OPEN = **300mA**

For more information, please visit our web-site.

ELECTRICAL CHARACTERISTICS :

Parameters	Symbols	Conditions			Specification			Unit	Note
		Vin (V)	Vbr (V)	Tu (°C)	Min.	Typ.	Max.		
Output Current	Iout	10.8 ~ 13.2	0	-20~+70	TBD	30	TBD	mAdc	Duty 100%
Output Current	Imin	10.8 ~ 13.2	5	-20~+70	-	25	-	%	duty cycle
Input Current	Iin	10.8 ~ 13.2	0	-20~+70	0.03	-	0.5	Adc	
Open Load Shutdown	Vbias	10.8 ~ 13.2	0	-20~+70	-	35	-	Vdc	
Output Power	Pout	10.8 ~ 13.2	0	-20~+70	TBD	9	TBD	Watt	

Note 1: Do not use analog dimming and external PWM dimming at the same time.

Note 2: Pin terminal style converters are mounted with Molex connectors.

Note 3: External PWM-signal is LOW active.

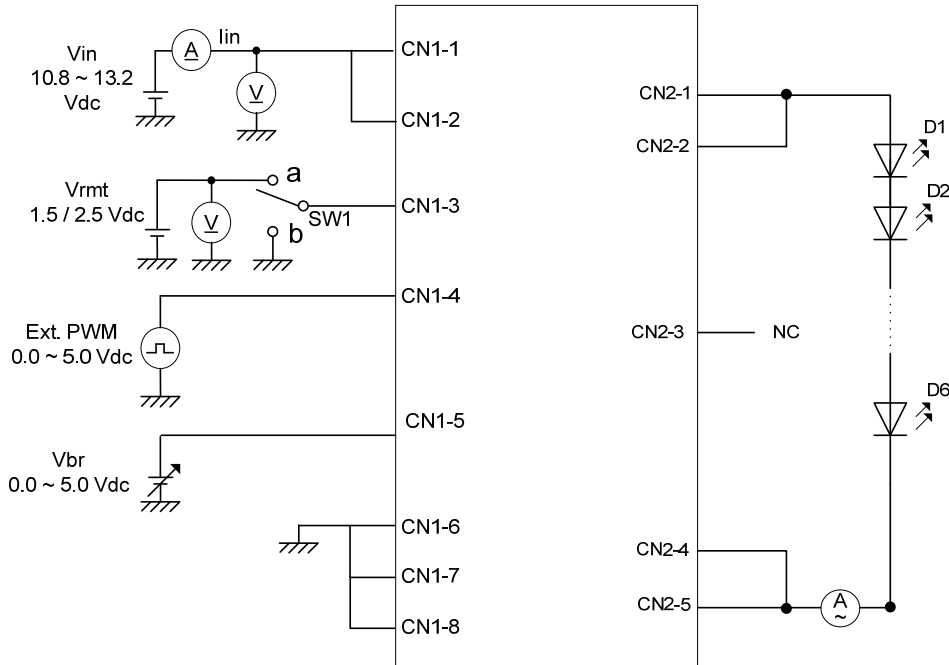
Note 4: Please connect Pin CN1-5 to GND when using external PWM dimming

LED-CONVERTER UNIT

PS-LD0101-x-yyy(S) (9 W)

(PRELIMINARY INFORMATION)

TEST CIRCUIT :



ORDER KEY :

PS-LD0101-x-yyy

When ordering this converter please give the following keys:

-x is to be replaced by:

- 1 for connectors
- 2 for Pin-Terminal

A pre-configured order can be placed from 300 pieces upwards

-yyy is to be replaced by:

Three digit value for output current per LED line (from 030 to 300 including)

- Attention:**
- * 10 mA output current per LED line will be set as default when no specific current is mentioned
 - * Incorrect LED currents can reduce the lifetime of the backlight or even destroy it.
 - * Orders of pre-configured converters can't be cancelled

Examples:

PS-LD0101-1-040 (S)
40 mA output current
PCB with connectors

PS-LD0101-2-150 (S)
150 mA output current
PCB with Pin-Terminal

CABLES :

for input: 500 mm, stripped and tinned ends, order key <input cable #13>

for output: 500 mm, stripped and tinned ends, order key <input cable #5>

Power Systems – The Power Solution

Web: www.Power-Systems.de
Email: Info@Power-Systems.de

Address: Hauptstr. 48 ; 74360 Ilsfeld-Auenstein / Germany
Tel. : + 49 / 70 62 / 67 59 - 6
Fax: + 49 / 70 62 / 67 59 - 800