

# DC-AC INVERTER UNIT

**PS-DA0403-01(S) (30 W QUAD OUTPUTS)**

(PRELIMINARY INFORMATION)

**DESCRIPTION :**

This low profile DC to AC Inverter is developed for quad lamps.

**APPLICABLE LCD:**

- 6.4 to 15 inches quad lamp type
- Lamp Voltage 714 Vrms
- Lamp Current 4 x 10,5 mArms
- Lamp Start Up Voltage 1.700 Vrms (Vin : 12 Vdc)



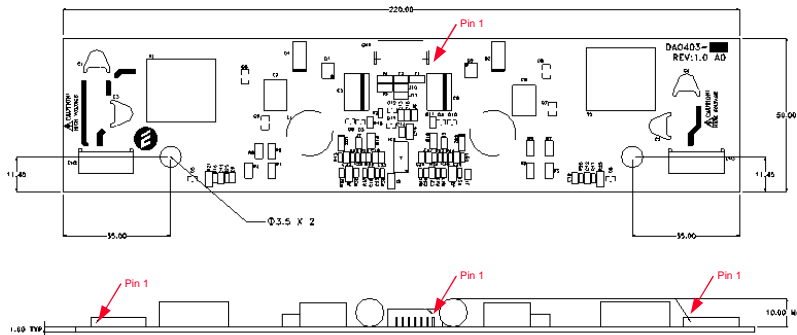
**FEATURES :**

- Remote ON/OFF
- Open Lamp Detection
- RoHS compliant (S)

**TEMPERATURE & HUMIDITY :**

- Operating Temperature Range 0°C ~ +50°C
- Storage Temperature Range -20°C ~ +85°C
- Humidity 95 %RH max

**DIMENSIONS :** L x W x H 220 x 50 x 10 mm



Unit : mm  
Weight :67 (g) typ.

Note: Please use plastic screw in case of a non-insulating mounting base!

**Components**

No.	Part Description	Qty.	Material	Note
1	PCB	1	UL94V-0 (FR-4 or CEM-3)	t=1mm
2	Connector CN1	1	S7B-PH-SM3-1-TB	JST or equal
3	Connector CN2 + CN3	2	SM04(4.0)B-BHS-1-TB	JST or equal

**Input side CN1:**

Pin No.	Symbols	Ratings
CN 1-1	Vin	10.8 ~ 13.2 Vdc
CN 1-2	Vin	10.8 ~ 13.2 Vdc
CN 1-3	GND	
CN 1-4	GND	
CN 1-5	Vrmt	0 ~ 0.4 = OFF / 4.5 ~ Vin = ON
CN 1-6	GND	
CN 1-7	Vbr	0 ~ 3.3 Vdc

**Output side CN2:**

Pin No.	Symbols	Ratings
CN 2-1+2	Vhigh	714 Vrms (10.5 mArms)
CN 2-3	N.C.	-
CN 2-4	Vlow	(GND)

**Output side CN3:**

Pin No.	Symbols	Ratings
CN 3-1+2	Vhigh	714 Vrms (10.5 mArms)
CN 3-3	N.C.	-
CN 3-4	Vlow	(GND)

**Power Systems – The Power Solution**

Web: [www.Power-Systems.de](http://www.Power-Systems.de)  
Email: [Info@Power-Systems.de](mailto:Info@Power-Systems.de)

Address: Hauptstr. 48 ; 74360 Ilsfeld-Auenstein / Germany  
Tel. : + 49 / 70 62 / 67 59 - 6  
Fax: + 49 / 70 62 / 67 59 - 800

# DC-AC INVERTER UNIT

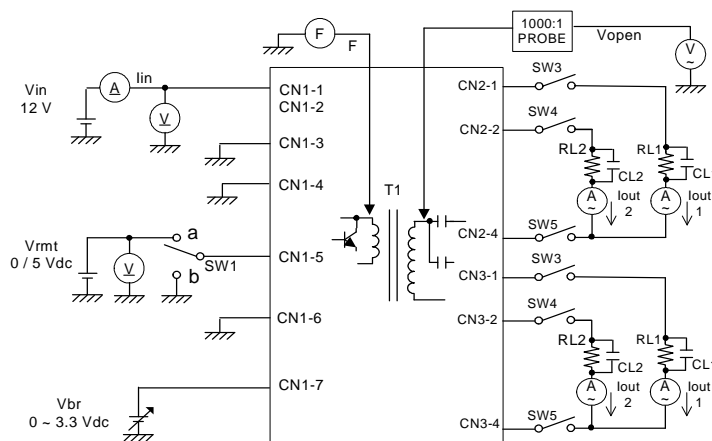
**PS-DA0403-01(S) (30 W QUAD OUTPUTS)**

(PRELIMINARY INFORMATION)

**ELECTRICAL CHARACTERISTICS :**

Parameters	Symbols	Conditions			Specification			Unit	Note
		Vin (V)	Vrmt (V)	Tu (°C)	Min.	Typ.	Max.		
Output Current	Iout	12±1.2	5±0.25	0 ~ +50	10.0	10.5	11.0	mArms	Vbr = 0 Vdc
Output Current	Iout	12±0.6	5±0.25	0 ~ +50	2.5	3.0	3.5	mArms	Vbr = 3.3 Vdc
Input Current	Iin	12±1.2	5±0.25	0 ~ +50	-	2.1	2.3	Adc	
Frequency	F	12±1.2	5±0.25	0 ~ +50	40	52	60	kHz	
Open Circuit Voltage	Vopen	11.4	5±0.25	0 ~ +50	1.600	1.700	2.000	Vrms	
No load Shutdown	Tsd	12±1.2	5±0.25	0 ~ +50	1.0	-	-	sec	without load

Note 1 : Please keep minimum of 2mm clearance (all directions) between inverter high voltage area as marked on mechanical drawing and any conductors.

**TEST CIRCUIT :**


SW 1	Operation of unit
a	Operation
b	Non operation

**Power Systems – The Power Solution**

 Web: [www.Power-Systems.de](http://www.Power-Systems.de)  
 Email: [Info@Power-Systems.de](mailto:Info@Power-Systems.de)

 Address: Hauptstr. 48 ; 74360 Ilsfeld-Auenstein / Germany  
 Tel. : + 49 / 70 62 / 67 59 - 6  
 Fax: + 49 / 70 62 / 67 59 - 800