

DC-AC INVERTER UNIT

PS-DA0276-01-B(S) (10 W DUAL OUTPUTS)

(PRELIMINARY INFORMATION)

DESCRIPTION :

This low profile DC to AC Inverter is developed for quad lamps.
Optimized for Sharp LQ150X1LG71, LQ150X1LG81



APPLICABLE LCD:

- Lamp Voltage 660 Vrms
- Lamp Current 2 x 6.5 mArms
- Lamp Start Up Voltage 1.500 Vrms (Vin : 12 Vdc)

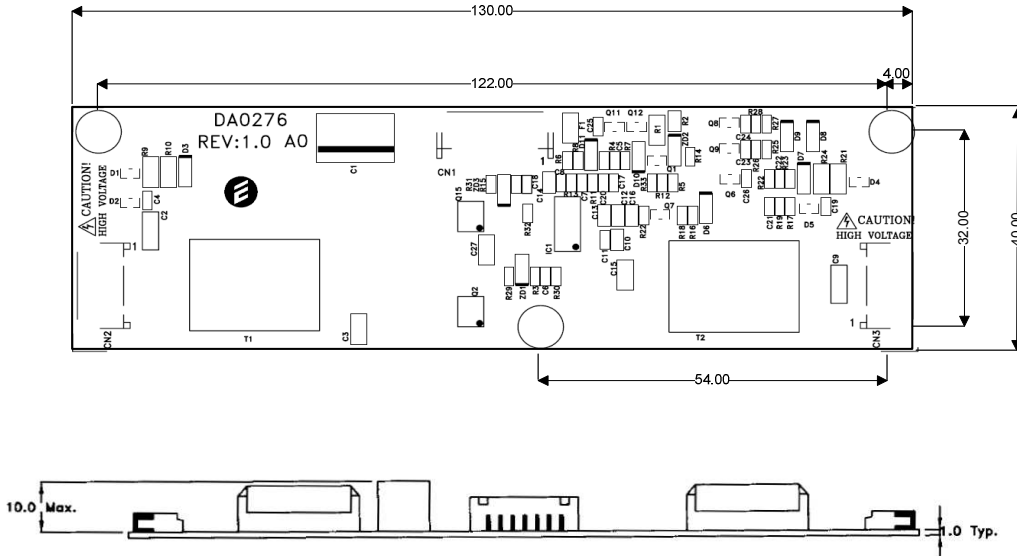
FEATURES :

- Wide Dimming Range
- Current Feedback Circuit
- Remote ON/OFF
- Open Lamp Detection
- High Efficiency
- RoHS compliant (S)
- UVP Circuit

TEMPERATURE & HUMIDITY :

- Operating Temperature Range 0°C ~ +60°C
- Storage Temperature Range -30°C ~ +85°C
- Humidity 95 %RH max

DIMENSIONS : L x W x H **130 x 40 x 11 mm**



Unit : mm
 Weight: 26g

Note: Please use plastic screw in case of a non-insulating mounting base!

Components

No.	Part Description	Qty.	Material	Note
1	PCB	1	UL94V-0 (FR-4 or CEM-3)	t=1mm
2	Connector CN1	1	S7B-PH-SM3	JST or equal
3	Connector CN2 + CN3	2	SM02(8.0)B-BHS-1-TB	JST or equal

Power Systems – The Power Solution

Web: www.Power-Systems.de
 Email: Info@Power-Systems.de

Address: Hauptstr. 48 ; 74360 Ilfeld-Auenstein / Germany
 Tel. : + 49 / 70 62 / 67 59 - 6
 Fax: + 49 / 70 62 / 67 59 - 800

PS-DA0276-01-B(S) (10 W DUAL OUTPUTS)

(PRELIMINARY INFORMATION)

Input side CN1:

Pin No.	Symbols	Ratings
CN 1-1	Vin	10,8 ~ 13,2 Vdc
CN 1-2	Vin	10,8 ~ 13,2 Vdc
CN 1-3	GND	
CN 1-4	GND	
CN 1-5	Vbr	0 ~ 3.0 Vdc
CN 1-6	Vst	N.C.
CN 1-7	Vrmt	0 ~ 0.4 = OFF / 2.5 ~ Vin = ON

Output side CN2:

Pin No.	Symbols	Ratings
CN 2-1	Vhigh	660 Vrms (6.5m Arms)
CN 2-2	N.C.	-
CN 2-3	GND	-

Output side CN3:

Pin No.	Symbols	Ratings
CN 3-1	Vhigh	660 Vrms (6.5 m Arms)
CN 3-2	N.C.	-
CN 3-3	GND	-

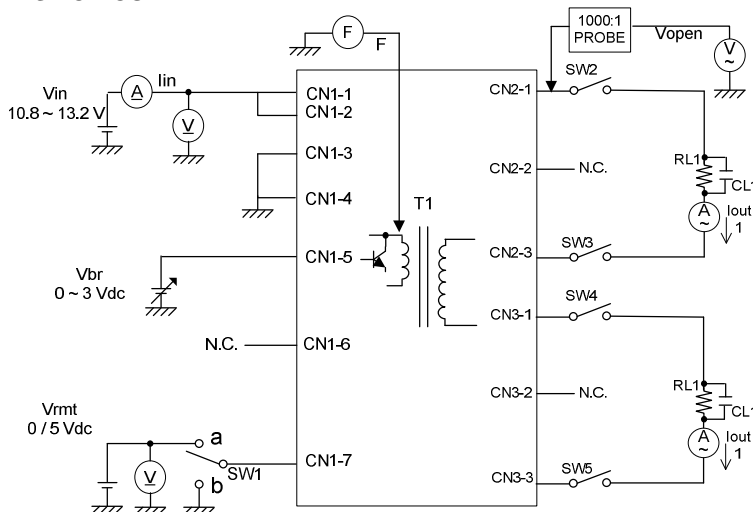
ELECTRICAL CHARACTERISTICS :

Parameters	Symbols	Conditions			Specification			Unit	Note
		Vin (V)	Vbr (V)	Tu (°C)	Min.	Typ.	Max.		
Output Current	Iout	12±1.2	0.0	0 ~ +60	6.0	6.5	7.0	m Arms	Duty 100%
Output Current	Iout	12±0.6	3.0	0 ~ +60		15		%	Duty min
Input Current	Iin1	12±1.2	0.0	0 ~ +60	-	1.1	1.4	Adc	
Input Current	Iin2	12±1.2	0.0	0 ~ +60	-	-	1.0	m Adc	
Frequency	F	12±1.2	0.0	0 ~ +60	40	50	55	kHz	
Open Circuit Voltage	Vopen	11.4	0.0	0 ~ +60	1.500	1.600	-	Vrms	
No load Shutdown	Tsd	12±1.2	0.0	0 ~ +60	-	3.0	-	sec	without load

Note 1 : Please keep minimum of 2mm clearance (all directions) between inverter high voltage area as marked on mechanical drawing and any conductors.

Note 2 : Open circuit on all lamps for more than 3 sec., will shut the inverter down.

Note 3 : Before apply any control signal into inverter, please provide Vcc first. Please follow the reversed sequence during power off. Power off control signal first, then power off Vcc.

TEST CIRCUIT :


SW 1	Operation of unit
a	Operation
b	Non operation

Power Systems – The Power Solution

Web: www.Power-Systems.de
 Email: Info@Power-Systems.de

Address: Hauptstr. 48 ; 74360 Ilsfeld-Auenstein / Germany
 Tel. : + 49 / 70 62 / 67 59 - 6
 Fax: + 49 / 70 62 / 67 59 - 800