

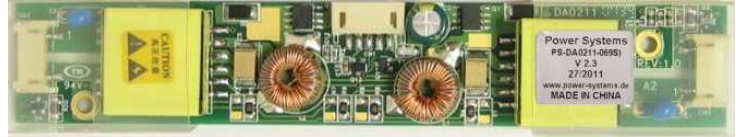
DC-AC INVERTER UNIT

PS-DA0211-069(S) (12 W DUAL OUTPUTS)

(PRELIMINARY INFORMATION)

DESCRIPTION :

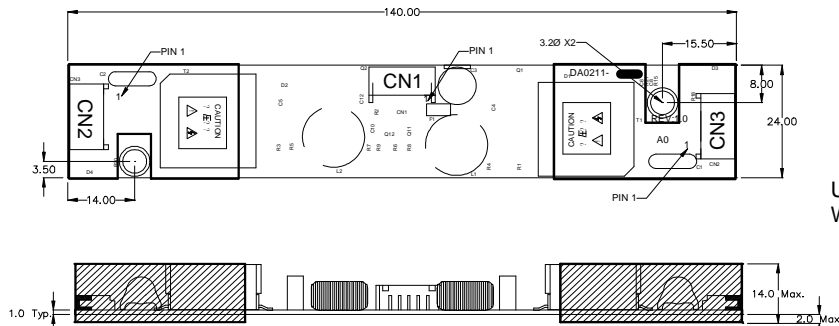
 This low profile DC/AC inverter is developed for dual lamps.
 Optimized for **Chi Mei Display: G150X1-L01**
APPLICABLE LCD:

 6.4 to 15 inches double lamps
 Lamp voltage 580 Vrms
 Lamp current 2 x 7.5 mArms
 Lamp Start Up Voltage 1.500 Vrms (Vin : 12 Vdc)

FEATURES :

 Remote ON/OFF
 Open lamp detection
 Regulated
 Wide input range 10.4~ 13.2 Vdc
 Dimming function
 Specil fus Bourns SF1206 Series 2A
 RoHS compliant (S)

TEMPERATURE & HUMIDITY :

 Operating Temperature Range -10°C ~ +65°C
 Storage Temperature Range -40°C ~ +85°C
 Humidity 95 %RH max

DIMENSIONS : L x W x H **140 x 24 x 14 mm**

 Unit : mm
 Weight :39,8 (g) typ.

Components

No.	Part Description	Qty.	Material	Note
1	PCB	1	UL94V-0 (FR-4 or CEM-3)	t=1mm
2	Connector CN1	1	S5B-PH-SM3	JST or equal
3	Connector CN2 + CN3	2	SM02(8.0)B-BHS-1-TB	JST or equal

Input side CN1:

Pin No.	Symbols	Ratings
CN 1-1	Vin	12 Vdc
CN 1-2	GND	
CN 1-3	Vbr	0 ~ 5.0 Vdc
CN 1-4	GND	
CN 1-5	Vrmt	0 ~ 0.4 = OFF / 2.5 ~ Vin = ON

Output side CN2 + CN3:

Pin No.	Symbols	Ratings
CN 2-1	VHIGH1	580Vrms (7.5mArms)
CN 2-2	N.C.	-
CN 2-3	VLOW	0Vdc

Power Systems – The Power Solution

 Web: www.Power-Systems.de
 Email: Info@Power-Systems.de

 Address: Hauptstr. 48 ; 74360 Ilsfeld-Auenstein / Germany
 Tel. : + 49 / 70 62 / 67 59 - 6
 Fax: + 49 / 70 62 / 67 59 - 800

DC-AC INVERTER UNIT

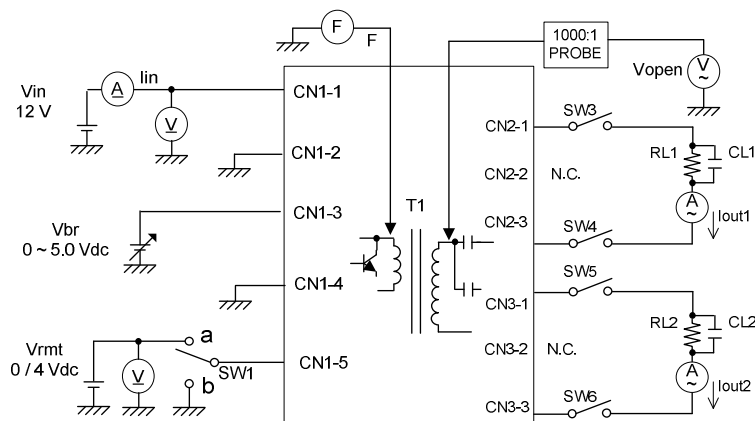
PS-DA0211-069(S) (12 W DUAL OUTPUTS)

(PRELIMINARY INFORMATION)

ELECTRICAL CHARACTERISTICS :

Parameters	Symbols	Conditions			Specification			Unit	Note
		Vin (V)	Vrmt (V)	Tu (°C)	Min.	Typ.	Max.		
Output Current	I _{out}	12±1.2	5±0.25	-10 ~ +65	7.0	7.5	8.0	mArms	V _{br} =0 Vdc
Output Current	I _{out}	12±0.6	5±0.25	-10 ~ +65	2.5	3.0	3.5	mArms	V _{br} =5.0 Vdc
Input Current	I _{in}	12±1.2	5±0.25	-10 ~ +65	-	0.93	1.4	Adc	
Frequency	F	12±1.2	5±0.25	-10 ~ +65	44.5	52	59.5	kHz	
Open Circuit Voltage	V _{open}	11.4	5±0.25	-10 ~ +65	1.300	1.500	1.700	Vrms	
No load Shutdown	T _{sd}	12±1.2	5±0.25	-10 ~ +65	1.0	-	-	sec	without load

Note 1 : Please keep a minimum of 2mm clearance in all directions between inverter high voltage areas and any conductors.

TEST CIRCUIT :


SW1	Operation of unit
a	Operation
b	Non operation

Power Systems – The Power Solution

Web: www.Power-Systems.de
 Email: Info@Power-Systems.de

Address: Hauptstr. 48 ; 74360 Ilsfeld-Auenstein / Germany
 Tel. : + 49 / 70 62 / 67 59 - 6
 Fax: + 49 / 70 62 / 67 59 - 800