

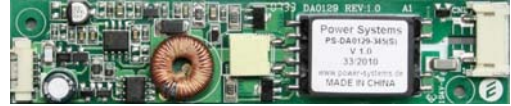
# DC-AC INVERTER UNIT

**PS-DA0129-345(S) (5 W SINGLE OUTPUT)**

(PRELIMINARY INFORMATION)

**DESCRIPTION :**

This DC to AC Inverter was developed for notebook computer and many other low LCD Backlight power supply.  
Optimized for **Kyocera: TCG057QV1AA**



**APPLICABLE LCD:**

- 5 to 15 inches single lamp type
- Lamp Voltage 600 Vrms
- Lamp Current 4.1 mArms
- Lamp Start Up Voltage 1.800 Vrms (Vin : 12 Vdc)

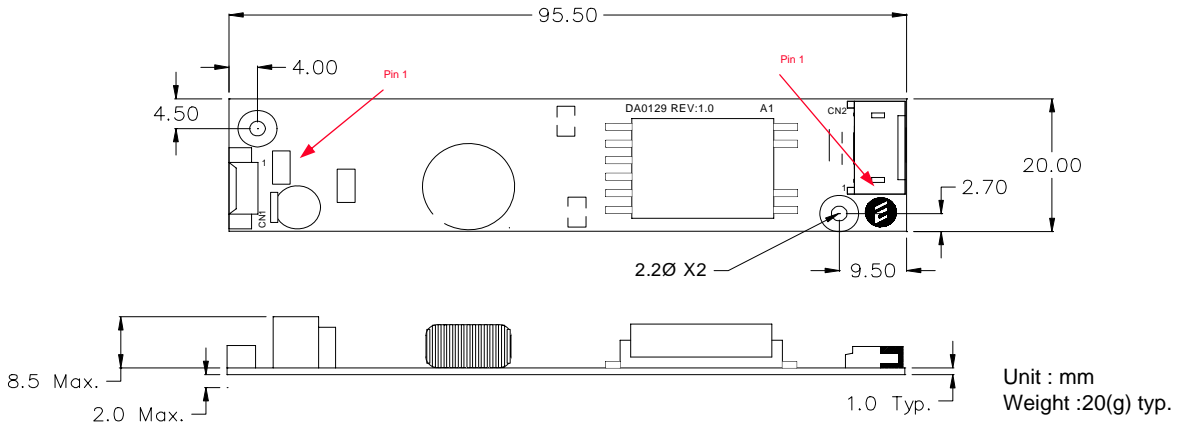
**FEATURES :**

- Current Feedback Circuit
- High Efficiency
- Low noise with voltage resonant circuit
- Regulated output current
- High Input voltage range
- RoHS compliant (S)

**TEMPERATURE & HUMIDITY :**

- Operating Temperature Range -10°C ~ +60°C (optimized after tests)
- Storage Temperature Range -30°C ~ +85°C
- Humidity 95 %RH max

**DIMENSIONS :** L x W x H **95.5 x 20 x 8.5 mm**



Note: Please use plastic screw in case of a non-insulating mounting base!

**Components**

No.	Part Description	Qty.	Material	Note
1	PCB	1	UL94V-0 (FR-4 or CEM-3)	t=1mm
2	Connector CN1	1	53261-0590	Molex or equal
3	Connector CN2	1	SM02(8.0)B-BHSS-1-TB	JST or equal

**Power Systems – The Power Solution**

Web: [www.Power-Systems.de](http://www.Power-Systems.de)  
Email: [Info@Power-Systems.de](mailto:Info@Power-Systems.de)

Address: Hauptstr. 48 ; 74360 Ilsfeld-Auenstein / Germany  
Tel. : + 49 / 70 62 / 67 59 - 6  
Fax: + 49 / 70 62 / 67 59 - 800

# DC-AC INVERTER UNIT

**PS-DA0129-345(S) (5 W SINGLE OUTPUT)**

(PRELIMINARY INFORMATION)

**Input side CN1:**

Pin No.	Symbols	Ratings
CN 1-1	Vin	9.6 ~ 15.0 Vdc
CN 1-2	GND	-
CN 1-3	Vrmt	0 ~ 0.5 = OFF / 2.5 ~ Vin = ON
CN 1-4	Vbr	0 ~ 3.0 Vdc
CN 1-5	N.C.	-

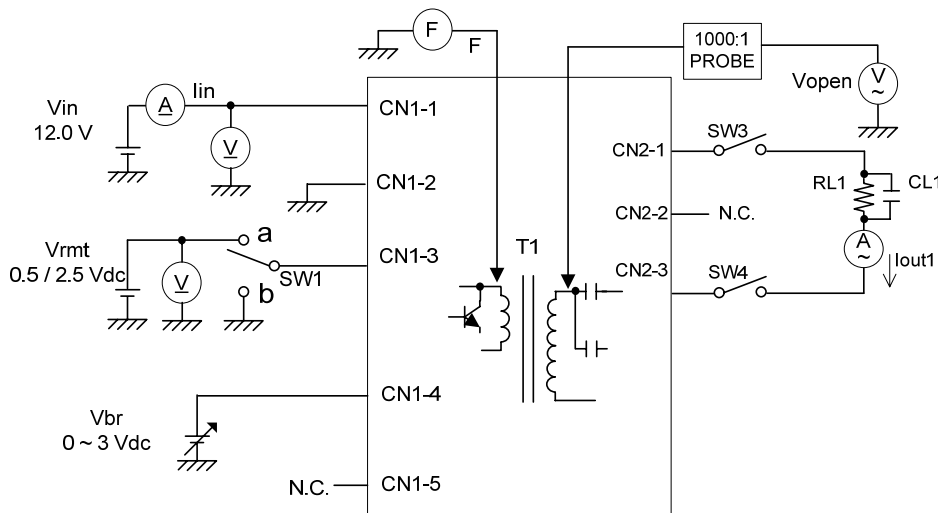
**Output side CN2**

Pin No.	Symbols	Ratings
CN 2-1	Vhigh	600 Vrms (4.1 mArms)
CN 2-2	N.C.	-
CN 2-3	Vlow	(GND)

**ELECTRICAL CHARACTERISTICS :**

Parameters	Symbols	Conditions			Specification			Unit	Note
		Vin (V)	Vbr (V)	Tu (°C)	Min.	Typ.	Max.		
Output Current	Iout	9.6~15	0.0	-10 ~ +60	3.5	4.1	4.7	mArms	
Output Current	Iout	9.6~15	3.0	-10 ~ +60	1.3	1.8	2.3	mArms	
Input Current	Iin	12	0.0	-10 ~ +60	-	0.42	0.68	Adc	
Frequency	F	9.6~15	0.0	-10 ~ +60	42.5	50	57.5	kHz	
Open Circuit Voltage	Vopen	9.6~15	0.0	-10 ~ +60	1.700	1.800	2.000	Vrms	
No load Shutdown	Tsd	9.6~15	0.0	-10 ~ +60	-	1.0	-	sec	without load

Note 1 : Please keep minimum of 2mm clearance (all directions) between inverter high voltage area as marked on mechanical drawing and any conductors.

**TEST CIRCUIT :**

**Power Systems – The Power Solution**

Web: [www.Power-Systems.de](http://www.Power-Systems.de)  
 Email: [Info@Power-Systems.de](mailto:Info@Power-Systems.de)

Address: Hauptstr. 48 ; 74360 Ilsfeld-Auenstein / Germany  
 Tel. : + 49 / 70 62 / 67 59 - 6  
 Fax: + 49 / 70 62 / 67 59 - 800