

DC-AC INVERTER UNIT

PS-DA0129-176-E-B(S) (5 W SINGLE OUTPUT)

(PRELIMINARY INFORMATION)

DESCRIPTION :

This DC to AC Inverter was developed for notebook computer and many other low LCD Backlight power supply as low profile applications, either for Notebook PC or Industrial.

Optimized for LQ057V3DG01, 29. Mai 2007

APPLICABLE LCD:

- 5 to 15 inches single lamp type
- Lamp Voltage 690 Vrms
- Lamp Current 5.0 mArms
- Lamp Start Up Voltage 1.800 Vrms (Vin : 12 Vdc)



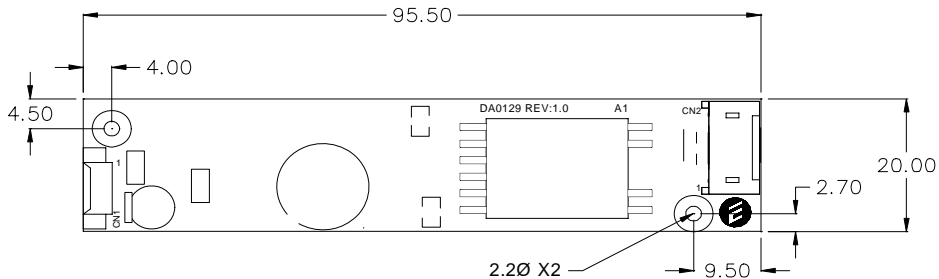
FEATURES :

- Current Feedback Circuit
- High Efficiency
- Low noise with voltage resonant circuit
- Regulated output current
- High Input voltage range
- RoHS compliant (S)

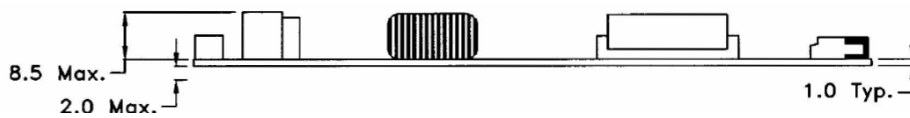
TEMPERATURE & HUMIDITY :

- Operating Temperature Range -30°C ~ +80°C
- Storage Temperature Range -30°C ~ +85°C
- Humidity 95 %RH max

DIMENSIONS : L x W x H 95.5 x 20 x 9.5 mm



Unit : mm
Weight :20(g) typ.



Note: Please use plastic screw in case of a non-insulating mounting base!

Components

No.	Part Description	Qty.	Material	Note
1	PCB	1	UL94V-0 (FR-4 or CEM-3)	t=1mm
2	Connector CN1	1	53261-0590	Molex or equal
3	Connector CN2	1	SM02(8.0)B-BHS-1-TB	JST or equal

Power Systems – The Power Solution

Web: www.Power-Systems.de
Email: Info@Power-Systems.de

Address: Hauptstr. 48 ; 74360 Ilsfeld-Auenstein / Germany
Tel. : + 49 / 70 62 / 67 59 - 6
Fax: + 49 / 70 62 / 67 59 - 800

PS-DA0129-176-E-B(S) (5 W SINGLE OUTPUT)

(PRELIMINARY INFORMATION)

Input side CN1:

Pin No.	Symbols	Ratings
CN 1-1	Vin	9.6 ~ 15.0 Vdc
CN 1-2	GND	-
CN 1-3	Vrmt	0 ~ 0.5 = OFF / 2.5 ~ Vin = ON
CN 1-4	Vbr	0 ~ 3.0 Vdc
CN 1-5	N.C.	-

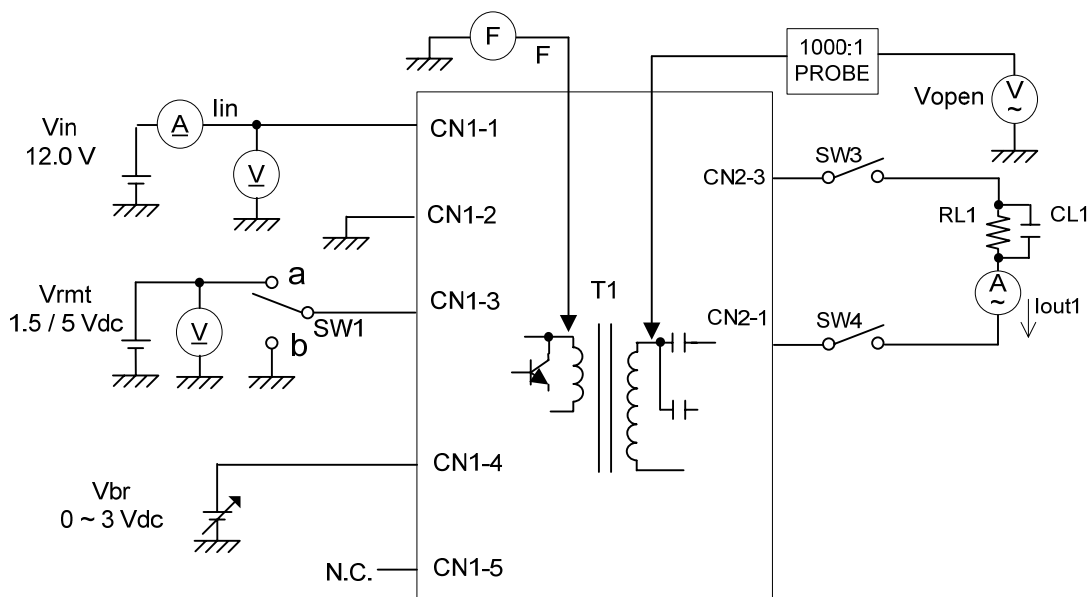
Output side CN2:

Pin No.	Symbols	Ratings
CN 2-1	Vlow	(2V)
CN 2-2	N.C.	-
CN 2-3	Vhigh	650 Vrms (5 mArms)

ELECTRICAL CHARACTERISTICS :

Parameters	Symbols	Conditions			Specification			Unit	Note
		Vin (V)	Vbr (V)	Tu (°C)	Min.	Typ.	Max.		
Output Current	Iout	9.6~15	0.0	-30 ~ +80	4.5	5.0	5.5	mArms	
Output Current	Iout	9.6~15	3.0	-30 ~ +80	1.5	2.0	2.5	mArms	
Input Current	Iin	12	0.0	-30 ~ +80	-	0.42	0.68	Adc	
Frequency	F	9.6~15	0.0	-30 ~ +80	42.5	50	57.5	kHz	
Open Circuit Voltage	Vopen	9.6~15	0.0	-30 ~ +80	1.700	1.800	2.000	Vrms	
No load Shutdown	Tsd	9.6~15	0.0	-30 ~ +80	-	1.0	-	sec	without load

Note 1 : Please keep minimum of 2mm clearance (all directions) between inverter high voltage area as marked on mechanical drawing and any conductors.

TEST CIRCUIT :

Power Systems – The Power Solution

Web: www.Power-Systems.de
 Email: Info@Power-Systems.de

Address: Hauptstr. 48 ; 74360 Ilsfeld-Auenstein / Germany
 Tel. : + 49 / 70 62 / 67 59 - 6
 Fax: + 49 / 70 62 / 67 59 - 800