

DC-AC INVERTER UNIT

PS-DA0129-087-B(S) (5 W SINGLE OUTPUT)

(PRELIMINARY INFORMATION)

DESCRIPTION :

This DC to AC Inverter was developed for notebook computer and many other low LCD Backlight power supply as low profile applications.
Optimized for **Sharp: LQ075V3DG01 LA1-06026**



APPLICABLE LCD:

- 6,4 to 15 inches single lamp type
- Lamp Voltage 845 Vrms
- Lamp Current 6.0 mArms
- Lamp Start Up Voltage 1.850 Vrms (Vin : 12 Vdc)

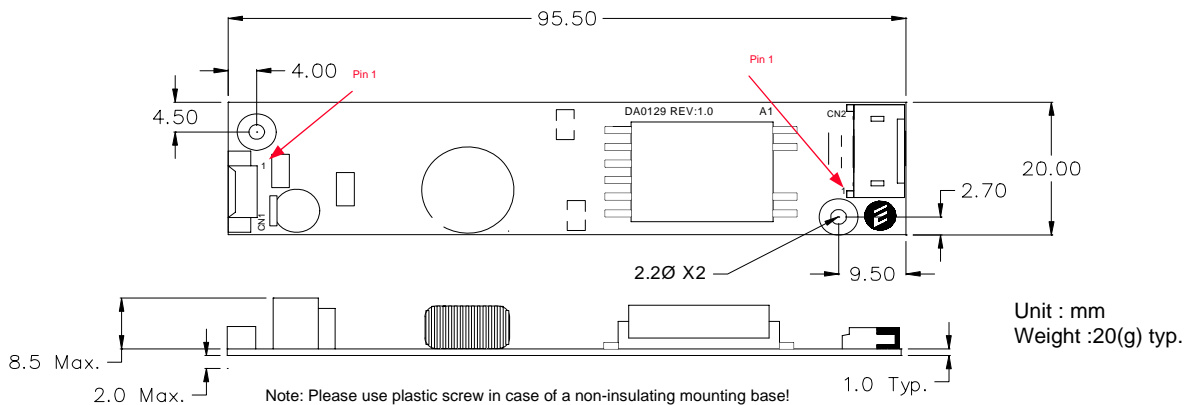
FEATURES :

- Current Feedback Circuit
- High Efficiency
- Low noise with voltage resonant circuit
- Regulated output current
- Extension Operating Temperature
- RoHS compliant (S)

TEMPERATURE & HUMIDITY :

- Operating Temperature Range -30°C ~ +65°C
- Storage Temperature Range -30°C ~ +80°C
- Humidity 95 %RH max

DIMENSIONS : L x W x H **95.50 x 20 x 9.5 mm**



INPUT CONNECTOR :

Components

No.	Part Description	Qty.	Material	Note
1	PCB	1	UL94V-0 (FR-4 or CEM-3)	t=1mm
2	Connector CN1	1	53261-0590	Molex or equal
3	Connector CN2	1	SM02(8.0)B-BHS-1-TB	JST or equal

Power Systems – The Power Solution

Web: www.Power-Systems.de
Email: Info@Power-Systems.de

Address: Hauptstr. 48 ; 74360 Ilsfeld-Auenstein / Germany
Tel. : + 49 / 70 62 / 67 59 - 6
Fax: + 49 / 70 62 / 67 59 - 800

Input side CN1:

Pin No.	Symbols	Ratings
CN 1-1	Vin	9.6 ~ 15.0 Vdc
CN 1-2	GND	-
CN 1-3	Vrmt	0 ~ 0.5 = OFF / 2.5 ~ Vin = ON
CN 1-4	Vbr	0 ~ 3.0 Vdc
CN 1-5	N.C.	-

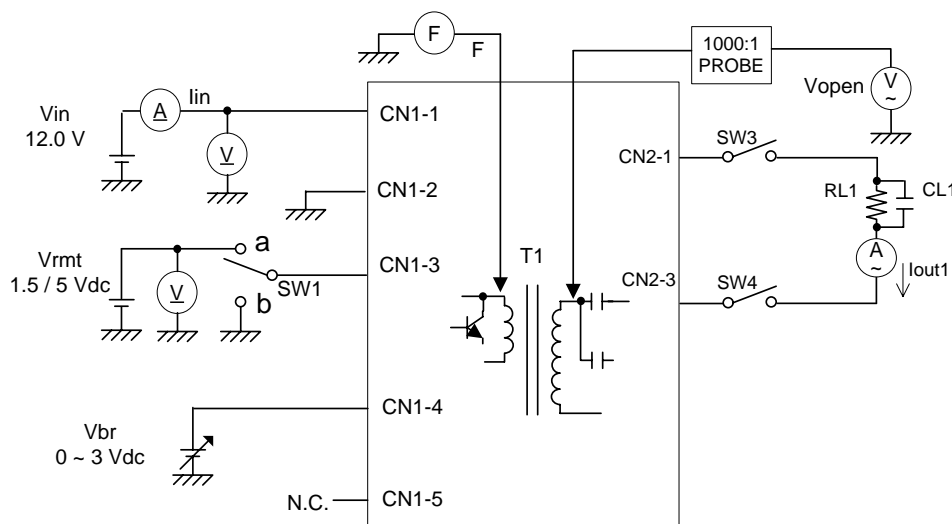
Output side CN2:

Pin No.	Symbols	Ratings
CN 2-1	VHIGH2	845 Vrms (6 mArms)
CN 2-2	N.C.	-
CN 2-3	VLOW	(GND)

ELECTRICAL CHARACTERISTICS :

Parameters	Symbols	Conditions			Specification			Unit	Note
		Vin (V)	Vbr (V)	Tu (°C)	Min.	Typ.	Max.		
Output Current	Iout	9.6~15	0.0	-30 ~ +65	5.4	6.0	6.6	mArms	Duty = 100%
Output Current	Iout	9.6~15	3.0	-30 ~ +65	2.5	3.0	3.5	mArms	
Input Current	Iin	12	0.0	-30 ~ +65	-	0.5	0.8	Adc	
Frequency	F	9.6~15	0.0	-30 ~ +65	42.5	50	57.5	kHz	
Open Circuit Voltage	Vopen	9.6~15	0.0	-30 ~ +65	1.800	1.850	2.000	Vrms	
No load Shutdown	Tsd	9.6~15	0.0	-30 ~ +65	-	1.0	-	sec	without load

Note 1 : Please keep minimum of 2mm clearance (all directions) between inverter high voltage area as marked on mechanical drawing and any conductors.

TEST CIRCUIT :

Power Systems – The Power Solution

Web: www.Power-Systems.de
 Email: Info@Power-Systems.de

Address: Hauptstr. 48 ; 74360 Ilsfeld-Auenstein / Germany
 Tel. : + 49 / 70 62 / 67 59 - 6
 Fax: + 49 / 70 62 / 67 59 - 800