

PS-DA0129-01(S) (5 W SINGLE OUTPUT)

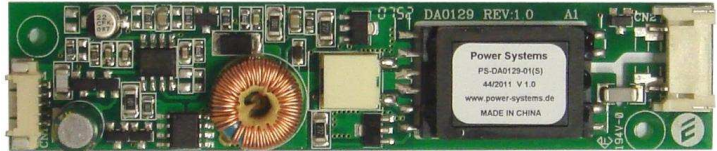
(PRELIMINARY INFORMATION)

DESCRIPTION :

This DC/AC Inverter is developed for notebook computers and other kinds of TFT displays with CCFL backlight system.

APPLICABLE LCD:

- 5 to 15 inches single lamps
- Lamp Voltage 600 Vrms
- Lamp Current 6.0 mArms
- Lamp Start Up Voltage 1.800 Vrms



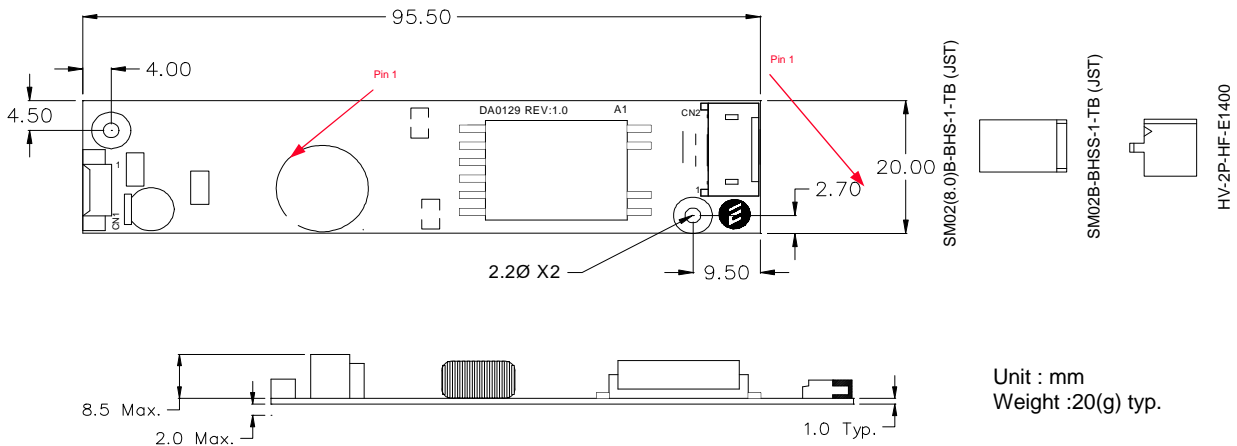
FEATURES :

- Current Feedback Circuit
- High Efficiency
- Low noise with voltage resonant circuit
- Regulated output current
- High Input voltage range
- RoHS compliant (S)

TEMPERATURE & HUMIDITY :

- Operating Temperature Range -10°C ~ +60°C
- Storage Temperature Range -30°C ~ +85°C
- Humidity 95 %RH max

DIMENSIONS : L x W x H **95.5 x 20 x 8.5 mm**



Note: Please use plastic screw in case of a non-insulating mounting base!

ORDER KEY :

When ordering this Inverter please give the following key.

- 1 for SM02(8.0)B-BHS-1-TB (JST)
- 2 for SM02B-BHSS-1-TB (JST)
- 3 for HV-2P-HF-E1400

For example PS-DA0129-01-1 (S)

Power Systems – The Power Solution

Web: www.Power-Systems.de
Email: Info@Power-Systems.de

Address: Hauptstr. 48 ; 74360 Ilsfeld-Auenstein / Germany
Tel. : + 49 / 70 62 / 67 59 - 6
Fax: + 49 / 70 62 / 67 59 - 800

DC-AC INVERTER UNIT

PS-DA0129-01(S) (5 W SINGLE OUTPUT)

(PRELIMINARY INFORMATION)

Components

No.	Part Description	Qty.	Material	Note
1	PCB	1	UL94V-0 (FR-4 or CEM-3)	t=1mm
2	Connector CN1	1	53261-0590	Molex or equal
3	Connector CN2	1	SM02(8.0)B-BHS-1-TB	JST or equal
			SM02B-BHSS-1-TB	JST or equal
			HV-2P-HF-E1400	JAE or equal

Input side CN1:

Pin No.	Symbols	Ratings
CN 1-1	V _{in}	9.6 ~ 15.0 Vdc
CN 1-2	GND	-
CN 1-3	V _{rmt}	0 ~ 0.5 = OFF / 2.5 ~ V _{in} = ON
CN 1-4	V _{br}	0 ~ 3.0 Vdc
CN 1-5	N.C.	-

Output side CN2 (SM02(8.0)B-BHS-1-TB)

Pin No.	Symbols	Ratings
CN 2-1	V _{high}	600 V _{rms} (6.0 mArms)
CN 2-2	N.C.	-
CN 2-3	V _{low}	(GND)

Output side CN2 (SM02B-BHSS-1-TB)

Pin No.	Symbols	Ratings
CN 2-1	V _{high}	600 V _{rms} (6.0 mArms)
CN 2-2	V _{low}	(GND)

ELECTRICAL CHARACTERISTICS :

Parameters	Symbols	Conditions			Specification			Unit	Note
		V _{in} (V)	V _{br} (V)	T _u (°C)	Min.	Typ.	Max.		
Output Current	I _{out}	9.6~15	0.0	-10 ~ +60	5.4	6.0	6.6	mArms	
Output Current	I _{out}	9.6~15	3.0	-10 ~ +60	2.5	3.0	3.5	mArms	
Input Current	I _{in}	12	0.0	-10 ~ +60	-	0.42	0.68	Adc	
Frequency	F	9.6~15	0.0	-10 ~ +60	42.5	50	57.5	kHz	
Open Circuit Voltage	V _{open}	9.6~15	0.0	-10 ~ +60	1.700	1.800	2.000	V _{rms}	
No load Shutdown	T _{sd}	9.6~15	0.0	-10 ~ +60	-	1.0	-	sec	without load

Note 1 : Please keep a minimum of 2mm clearance in all directions between inverter high voltage areas and any conductors as marked on mechanical drawing.

Power Systems – The Power Solution

Web: www.Power-Systems.de
 Email: Info@Power-Systems.de

Address: Hauptstr. 48 ; 74360 Ilfeld-Auenstein / Germany
 Tel. : + 49 / 70 62 / 67 59 - 6
 Fax: + 49 / 70 62 / 67 59 - 800

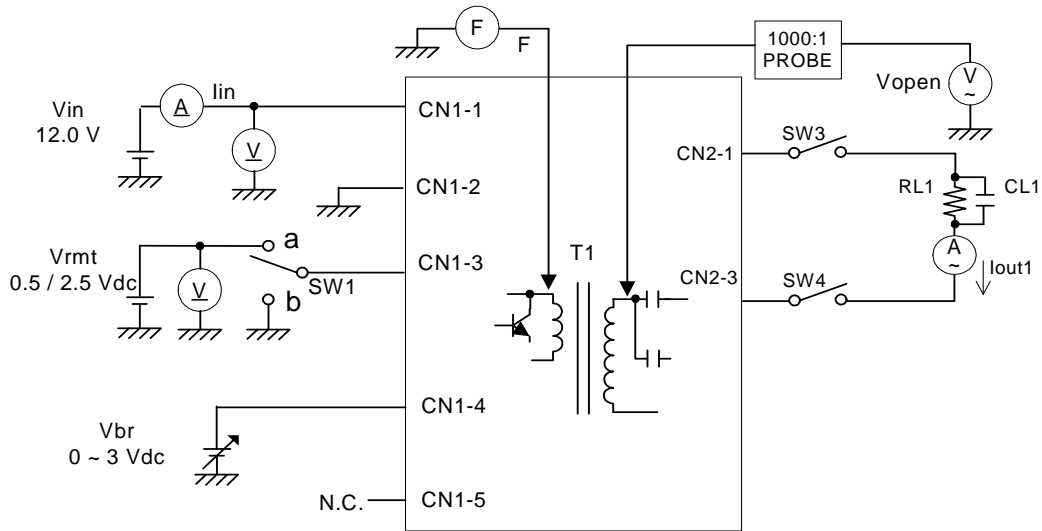
DC-AC INVERTER UNIT

PS-DA0129-01(S) (5 W SINGLE OUTPUT)

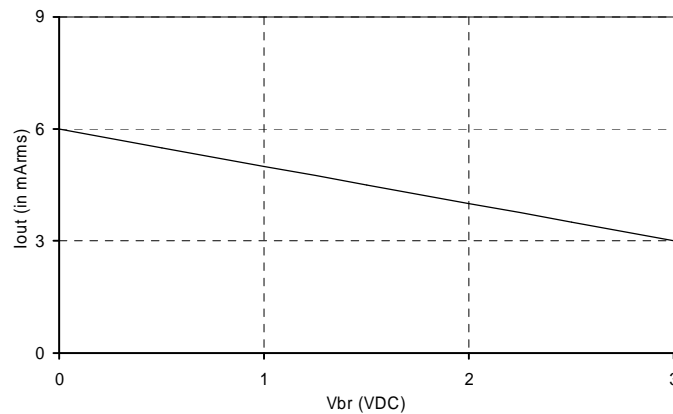
(PRELIMINARY INFORMATION)

TEST CIRCUIT :

SW1	Operation of unit
a	Operation
b	Non operation



DIMMING CHARACTERISTIC :



Power Systems – The Power Solution

Web: www.Power-Systems.de
 Email: Info@Power-Systems.de

Address: Hauptstr. 48 ; 74360 Ilsfeld-Auenstein / Germany
 Tel. : + 49 / 70 62 / 67 59 - 6
 Fax: + 49 / 70 62 / 67 59 - 800