

Touch Screen Installation Instruction

Mounting:

The touch panel must to be mounted onto LCD panel by double-side sponge tape. It will keep the touch panel away from LCD metal frame to prevent electric interfere. We strong recommend using the thicker than **2.5mm** tape to mount touch panel on the LCD display for the optimal performance of the touch sensor. Never use the tape thickness less than **1.5mm**.

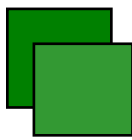


Sponge tape between touch panel and LCD monitor

Power Systems – The Power Solution

Web: www.Power-Systems.de
Email: Info@Power-Systems.de

Address: Hauptstr. 48 ; 74360 Ilsfeld-Auenstein / Germany
Tel. : + 49 / 70 62 / 67 59 - 6
Fax: + 49 / 70 62 / 67 59 – 800

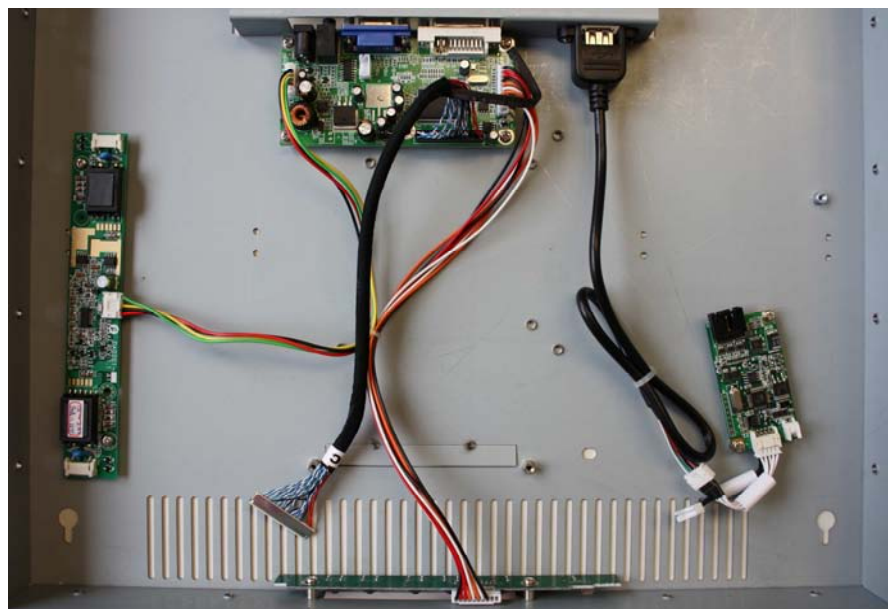


Touch Screen Installation Instruction

Basic Mounting Procedure:



A sample for small size

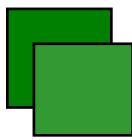


The position of controller

Power Systems – The Power Solution

Web: www.Power-Systems.de
Email: Info@Power-Systems.de

Address: Hauptstr. 48 ; 74360 Ilsfeld-Auenstein / Germany
Tel. : + 49 / 70 62 / 67 59 - 6
Fax: + 49 / 70 62 / 67 59 – 800

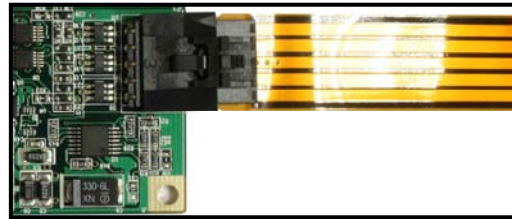


Touch Screen Installation Instruction

Controller Plug-In:

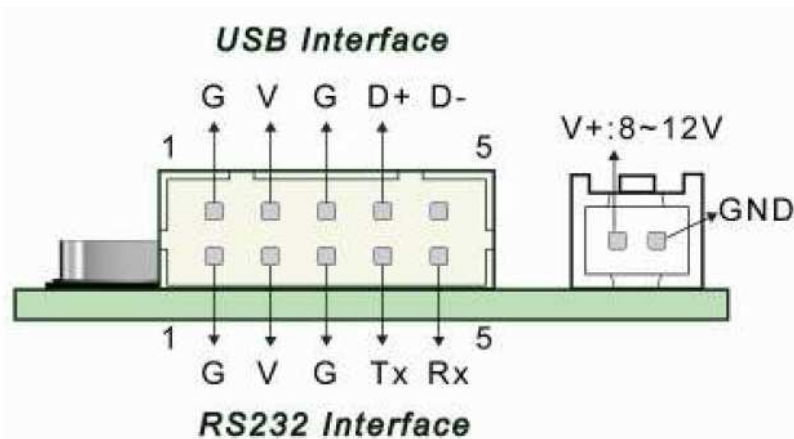


Connect to the PC-side



Connect to the panel-side

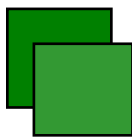
Pin out of USB and RS232



Power Systems – The Power Solution

Web: www.Power-Systems.de
Email: Info@Power-Systems.de

Address: Hauptstr. 48 ; 74360 Ilsfeld-Auenstein / Germany
Tel. : + 49 / 70 62 / 67 59 - 6
Fax: + 49 / 70 62 / 67 59 – 800



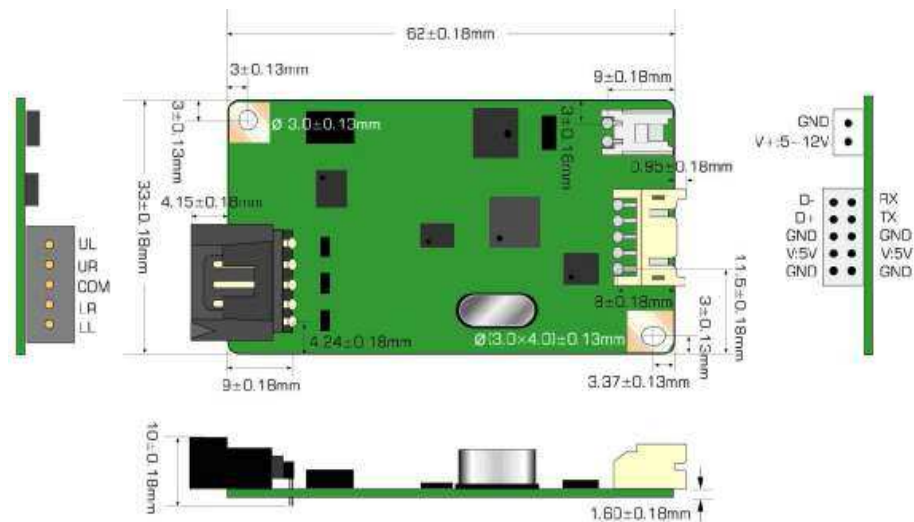
Touch Screen Installation Instruction



ESD discharge path:

The controllers must be mounted inside the systems and kept away from high voltage, electronics, high power cables and LCD inverter. The tail of the touch screen must not cross the inverter.

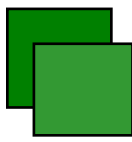
The controller has internal protection to **+/-27KV** for ESD discharges to the screen. Use diameter 3mm metal screws to mount the controller board at its two diagonal mounting holes. At least one of the mounting holes should be grounded through the metal part of the system for ESD discharge path.



Power Systems – The Power Solution

Web: www.Power-Systems.de
Email: Info@Power-Systems.de

Address: Hauptstr. 48 ; 74360 Ilsfeld-Auenstein / Germany
Tel. : + 49 / 70 62 / 67 59 - 6
Fax: + 49 / 70 62 / 67 59 – 800



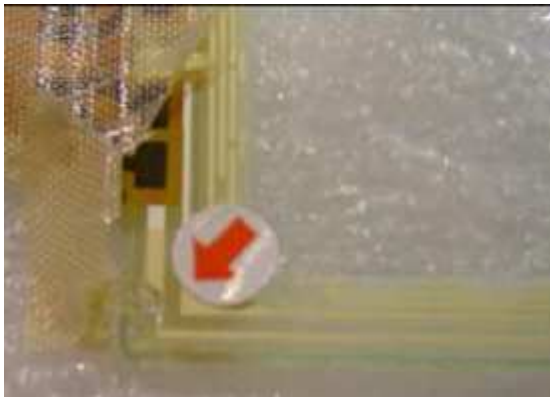
Touch Screen Installation Instruction

Tail Considerations:

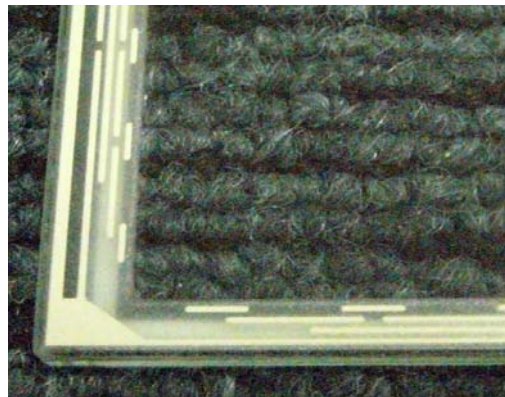
- a) **Never** pick up the touch panel by holding the tail.
- b) If necessary, the tail can be bent only once.
- c) **Never** bend the tail close to the edge within **5 mm** from the panel edge.
- d) **Do not** route the tail near the backlight inverter of the LCD panel.

Touch Panel Considerations:

The glass has been grinding in all corners and the edges to prevent the crack and damage from installation. But it's still not so strong and please takes care when mounting.



Broken edge

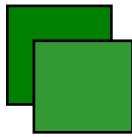


Unbroken edge

Power Systems – The Power Solution

Web: www.Power-Systems.de
Email: Info@Power-Systems.de

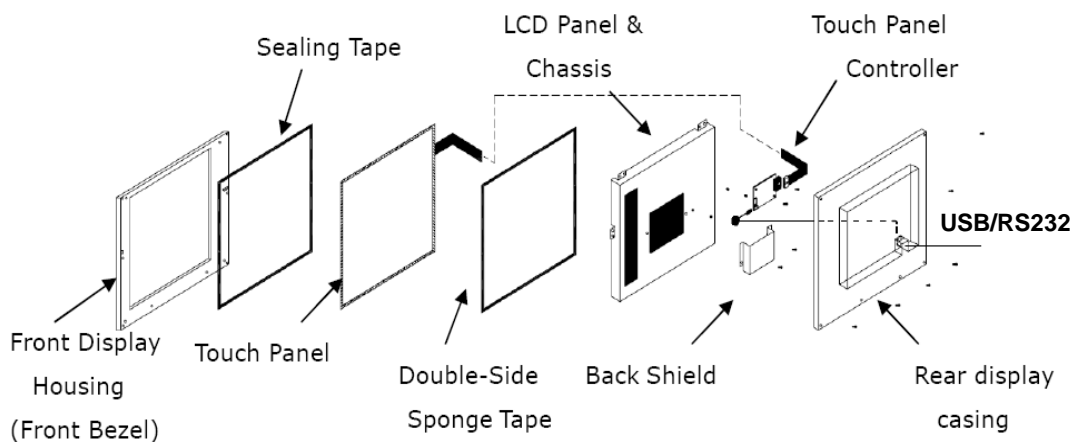
Address: Hauptstr. 48 ; 74360 Ilsfeld-Auenstein / Germany
Tel. : + 49 / 70 62 / 67 59 - 6
Fax: + 49 / 70 62 / 67 59 – 800



Touch Screen Installation Instruction

General:

1. Front bezel: the noise may come from the front bezel (epically metal bezel). For plastic bezel, do not touch the touch panel in any place. For metal type of bezel, please keep **2.5mm** from the touch panel and the metal bezel must be well grounded.
2. Sealing tape: 3M VHB 4962 single-side sponge tape as the sealing tape.
3. Touch panel: Keep away from the parts of the LCD module. We also provide the product with back side shielding coating to reduce the noise from the system.
4. Double-Side sponge tape: **Never** use the tape thickness less than **1.5mm**.
5. LCD panel & chassis: Keep the tail in good condition and well grounded for controller. Inverter may be the noise sourer, too.
6. Back shield: provide the protection for controller.



Power Systems – The Power Solution

Web: www.Power-Systems.de
Email: Info@Power-Systems.de

Address: Hauptstr. 48 ; 74360 Ilsfeld-Auenstein / Germany
Tel. : + 49 / 70 62 / 67 59 - 6
Fax: + 49 / 70 62 / 67 59 – 800